

Sump



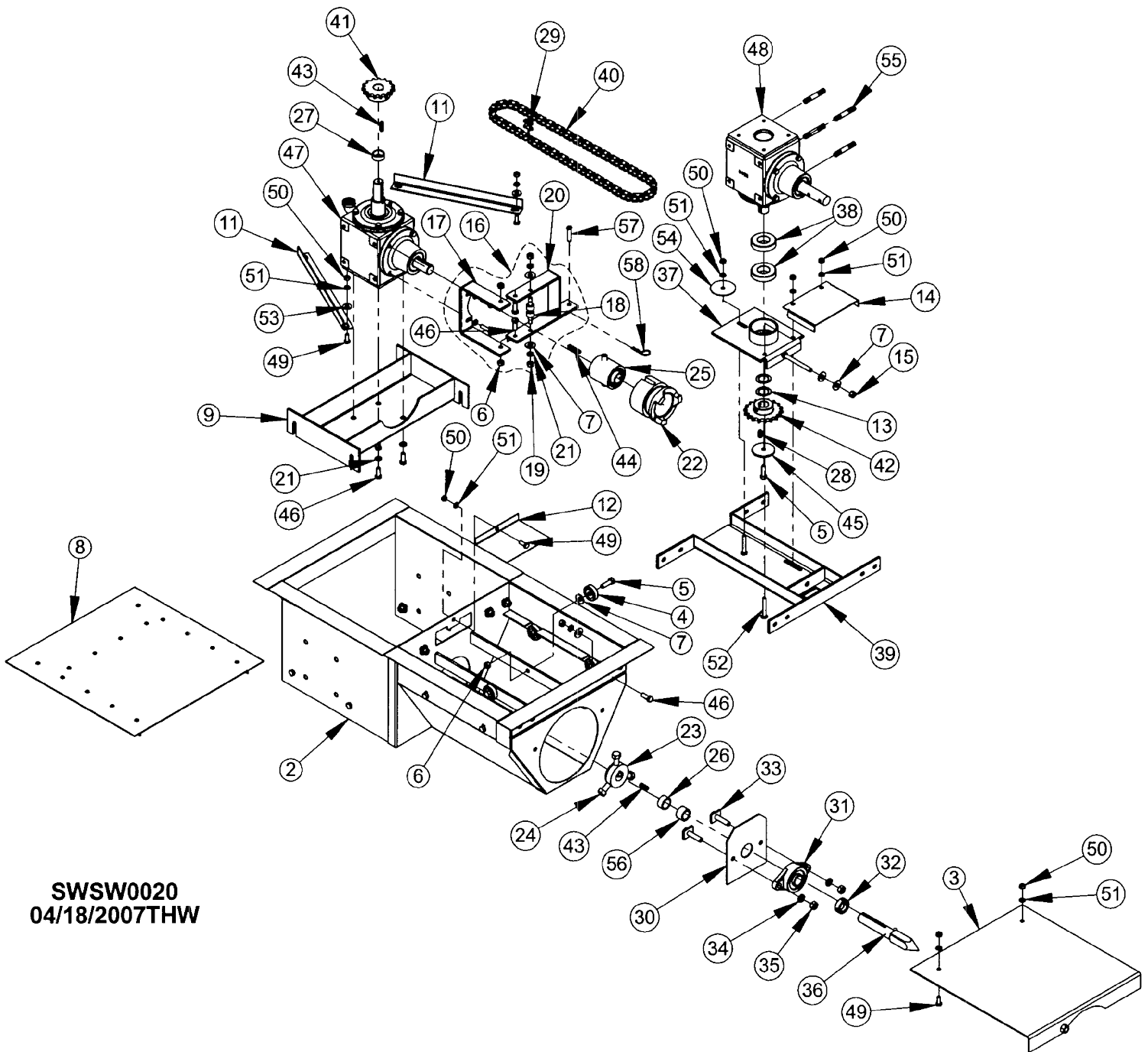
Mimersvej 5 · DK-8722 Hedensted

Tel +45 75 68 53 11

www.sukup-eu.com

Center Sump

6" & 8" CENTER SUMP (før 2011)



SWSW0020
04/18/2007THW

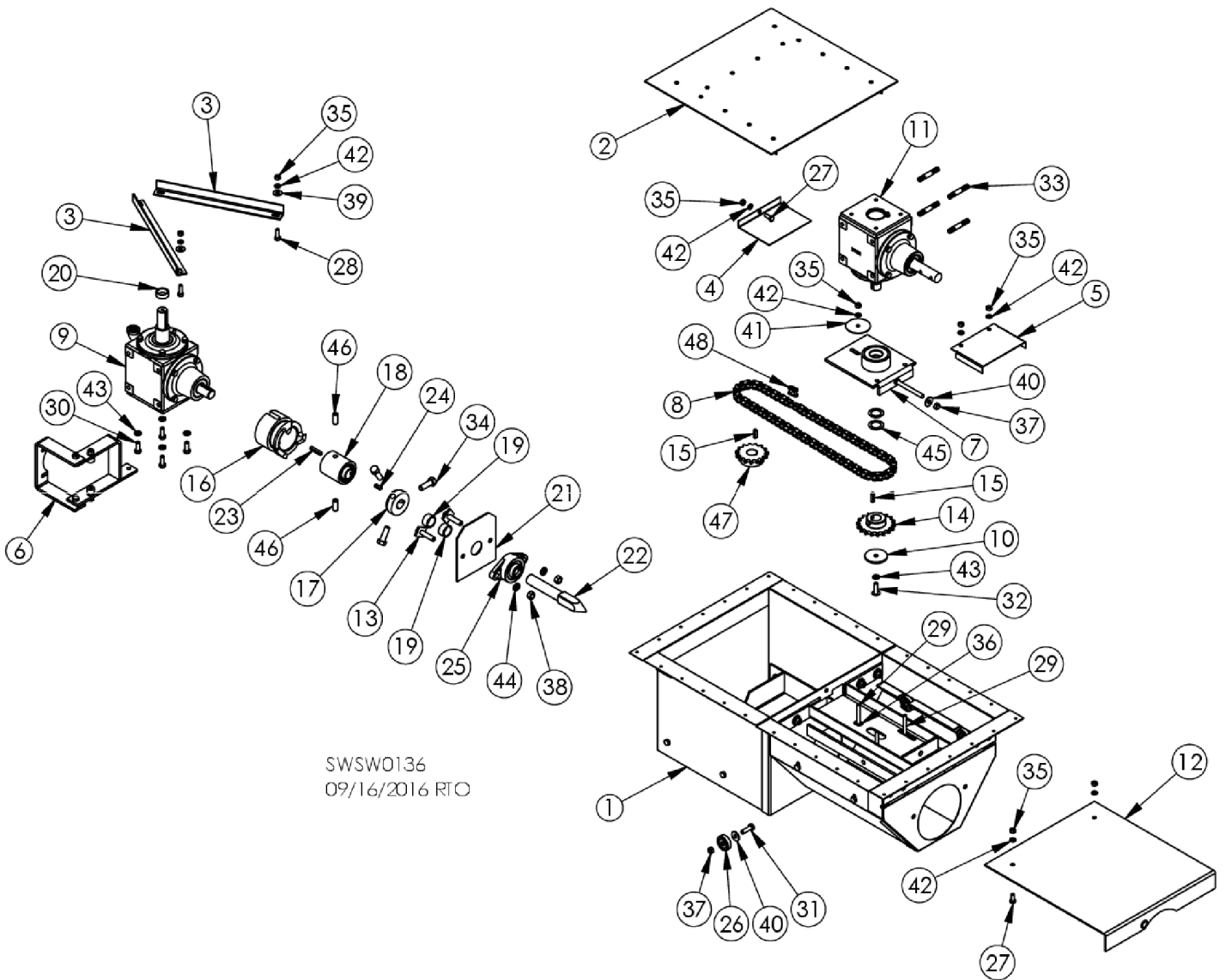
REF.#	DESCRIPTION	QTY	6" PART NR.	8" PART NR.
1	Sweep sump & gearboxes Complete	1	E5331	E5332
2	Center sump Shell	1	E5300	E5301
3	Center Slide Gate	1	E5303	E5304
4	Roller bearing 1 1/2	6	J0045	J0045
5	Bolt 3/8-16 x 1 1/4" GR5	8	J0616	J0616
6	Locknut, 3/8"-16	6	J1025	J1025
7	Washer, 3/8" PLT	19	J1117	J1117
8	Center sump cover	8	E5306	E5306
9	Rear gearbox support bracket	1	E5307	E5307

Center Sump

11	Center sump brace	2	E5308	E5308
12	Chain Cover	1	E5309	E5309
13	Bushing, Machine 1-18 Ga.	2	J1266	J1266
14	Cover gearbox support	1	E5312	E5312
15	Nut 3/8 - 16 PLT hex	20	J1020	J1020
16	Clutch shifter arm complete assembly	1	E5313	E5313
17	Clutch shifter arm support bracket	1	E5311	E5311
18	Bearing 75 (cam follower)	2	J0035	J0035
19	Nut 3/8 - PLT hex	2	J1030	J1030
20	Clutch Shifter arm weldment	1	E53131	E53131
21	Lockwasher, 3/8" split	19	J1205	J1205
22	Engaging Clutch, Tree Tooth	1	E60011	E60011
23	3Dog clutch disc.	1	E6002	E6002
24	Bolts 1-1/2 x 1/2"	3	J0730	J0730
25	Clutch base w/set & pilot bearing, 2 bolt	1	E60031	E60031
	Only the bearing	1	J0030	J0030
	Only the bolts	2	J1390	J1390
26	Spacer, 3/4" long for 6" & 8"	1	E60041	E60041
27	Spacer, 7/16" long	1	E60042	E60042
28	Key 1/4" x 3/4	1	G7508	G7508
29	Chain Link #50, Connector	1	204711050100	204711050100
30	Mounting Plate	1	E6005	E6005
31	Flangebearing, 1" (Incl J0067)	1	J00031	J00031
32	Locking Collar, 1"	1	J0067	J0067
33	Bolt 7/16 - 14 x 1 1/2", Gr. 5	2	E5570	E5570
34	Lockwasher, 7/16" split	6	J1210	J1210
35	Nut, 7/16 - 14 hex	2	J1035	J1035
36	Square end auger shaft	1	E6006	E6006
37	Top gear box bearing support slide plate w/bearings	2	E5317	E5317
38	Sealed bearing, 1 1/4	2	J0060F	J0060
39	Top gearbox support bracket	1	E5318	E5318
40	Chain #50 (73 links & 1 connector)	1	E5319	E5319
41	Sprecket 1" bore #50B12 /#50B15	1	J1660 / J1665	J1660 / 1665
42	Sprocket 1" bore #50A18	1	E5837	E5837
43	Key 1/4"Sq x 1	2	E5915	E5915
44	Key, 1/3" x 1 1/2"	1	E9007	E9007
45	Spacer washer, 3/8"	1	E5324	E5324
46	Bolt 3/8 - 16 x 1 Gr. 5	10	J0606	J0606
47	Rear gearbox Complete (See Gearbox section)	1	E5320	E5320
48	Top gearbox complete (See gearbox section)	1	E5325	E5325
49	Bolt, 5/16" split	8-12	J0520	J0520
50	Nut 5/16-18 PLT hex	10-14	J1002	J1002
51	Lockwasher, 5/16"split	9	J1200	J1200
52	Bolt 5/16 - 18 x 2 1/4" Carriage, Tap	2	J0588	J0588
53	Washer, 5/16, Flat, PLT	4	J1111	J1111
54	Washer 2 1/12" OD x 3/8" ID	1	J1140	J1140
55	Stud Bolt 7/16-14 2	4	J07211	J07211
56	Spacer, 3/4" Long	1	E6004	E6004
57	Pin Picker, 3/8 x 1 1/2	1	J1541	J1541
58	Clip, Hair Pin	1	J5410	J5410

Center Sump

6" CENTER SUMP



SWSW0136
09/16/2016 RTO

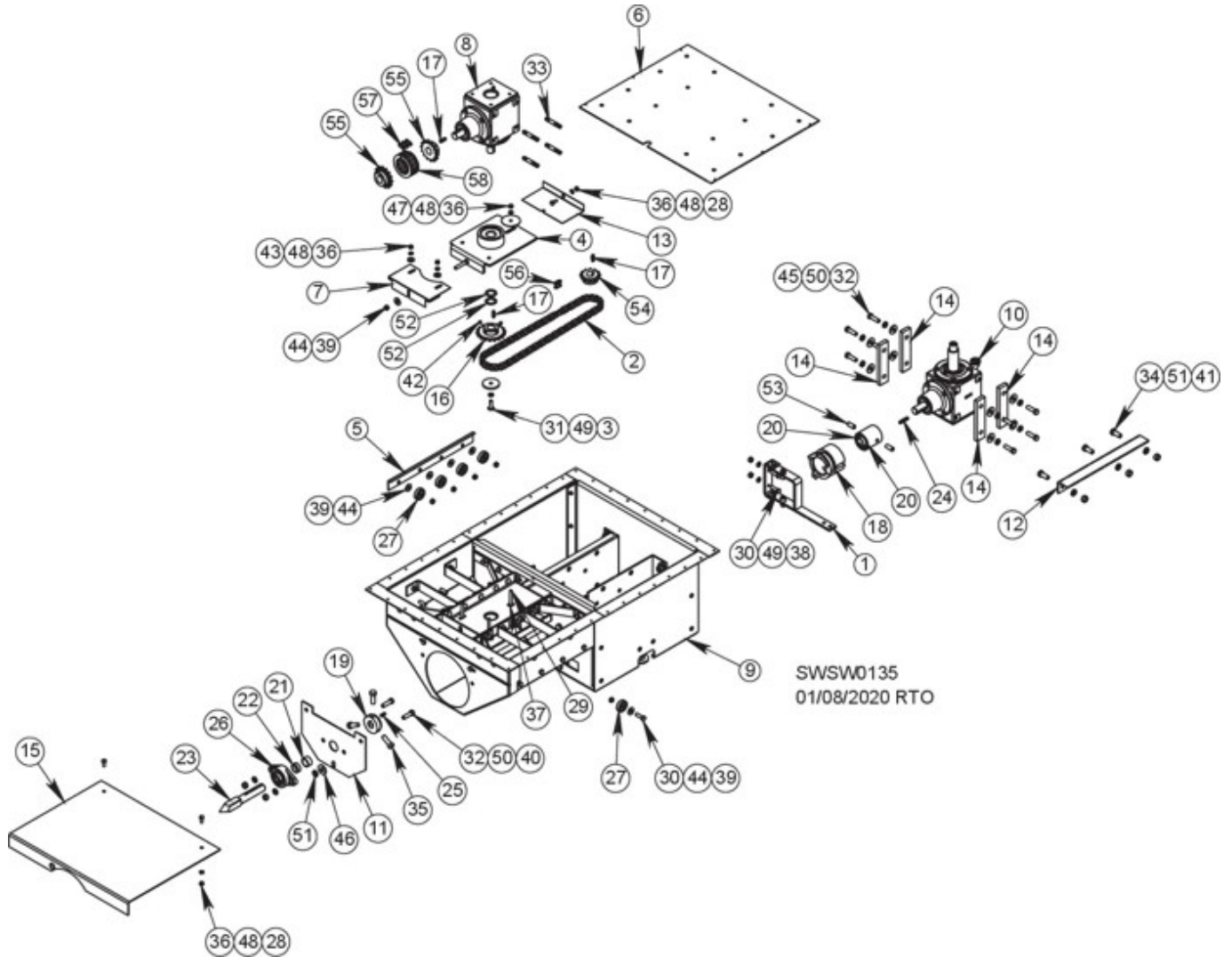
REF.#	DESCRIPTION	QTY	PART NR.
1	Center sump shell	1	E5300
2	Center sump cover	1	E5306
3	Center sump brace	2	E5308
4	Chain cover	1	E5309
5	Gearbox support cover	1	E5312
6	Clutch shifter arm assembly	1	E5313
7	Top gearbox bearing support slide plate w/ bearings	1	E5317

Center Sump

	Only the bearing	1	J0060F
8	#50 chain, 73 links & 1 connector link	1	E5319
9	Lower gearbox	1	E5320
10	Spacer washer, 3/8" ID, 2-1/4" OD	1	E5324
11	Top gearbox	1	E5325
12	Slide gate	1	E5476
13	Bolt, 7/16 - 14 x 2"	2	E5570
14	Sprocket, 1" bore*	1	E5837
15	Key, 1/4" sq. x 1"	2	E5915
16	Three-tooth engaging clutch	1	E60011
17	3-bolt clutch base	1	E6002-01
18	Clutch base w/ set & pilot bearing, 2 bolt	1	E60031 + J1390
	Only the bearing	1	J0030
	Only the bolt	2	J1390
19	Clutch spacer, 5/8" long	2	E60041
20	Clutch spacer, 7/16" long	1	E60042
21	Mounting plate	1	E6005
22	Square-end shaft	1	E6006
23	Key, 1/4" x 1-1/2"	1	E9007
24	Key, 1/4" x 3/4"	1	G7508
25	1" flange bearing	1	J0003
26	Roller bearing 1-1/2", 3/8" bore	6	J0045
27	Bolt, 5/16 - 18 x 3/4"	3	J0520
28	Screw, 5/16 - 18 x 1"	2	J0527
29	Carriage bolt, 5/16 - 18 x 2-1/2"	3	J0589
30	Bolt, 3/8 - 16 x 1"	4	J0606
31	Bolt, 3/8 - 16 x 1-1/4"	2	J0616
32	Bolt, 3/8 - 16 x 1-1/4", zinc plated	1	J06161
33	Stud bolt, 7/16 - 14 x 2-3/4"	4	J07211
34	Bolt, 1-1/2 x 1/2"	3	J0730
35	Hex nut, 5/16" - 18	8	J1002
36	Flat nut, 5/16" - 18	1	J1009
37	Lock nut, 3/8" - 16	7	J1025
38	Hex nut, 7/16" - 14	2	J1035
39	Flat washer, 5/16"	2	J1111
40	Flat washer, 3/8"	7	J1117
41	Washer, 2-1/2" OD, 3/8" ID, 14ga	1	J1140
42	Split lock washer, 5/16"	8	J1200
43	Split lock washer, 3/8"	5	J1205
44	Split lock washer, 7/16"	2	J1210
45	Machine bushing, 1", 18ga	2	J1266
46	Allen-head setscrew, 1/2 x 1-1/4"	2	J1390
47	Sprocket, 50B15H, 1" bore w/ keyway	1	J1665
48	Chain connector link, #50	1	204711050100

Center Sump

8" XL + 2020 CENTER SUMP



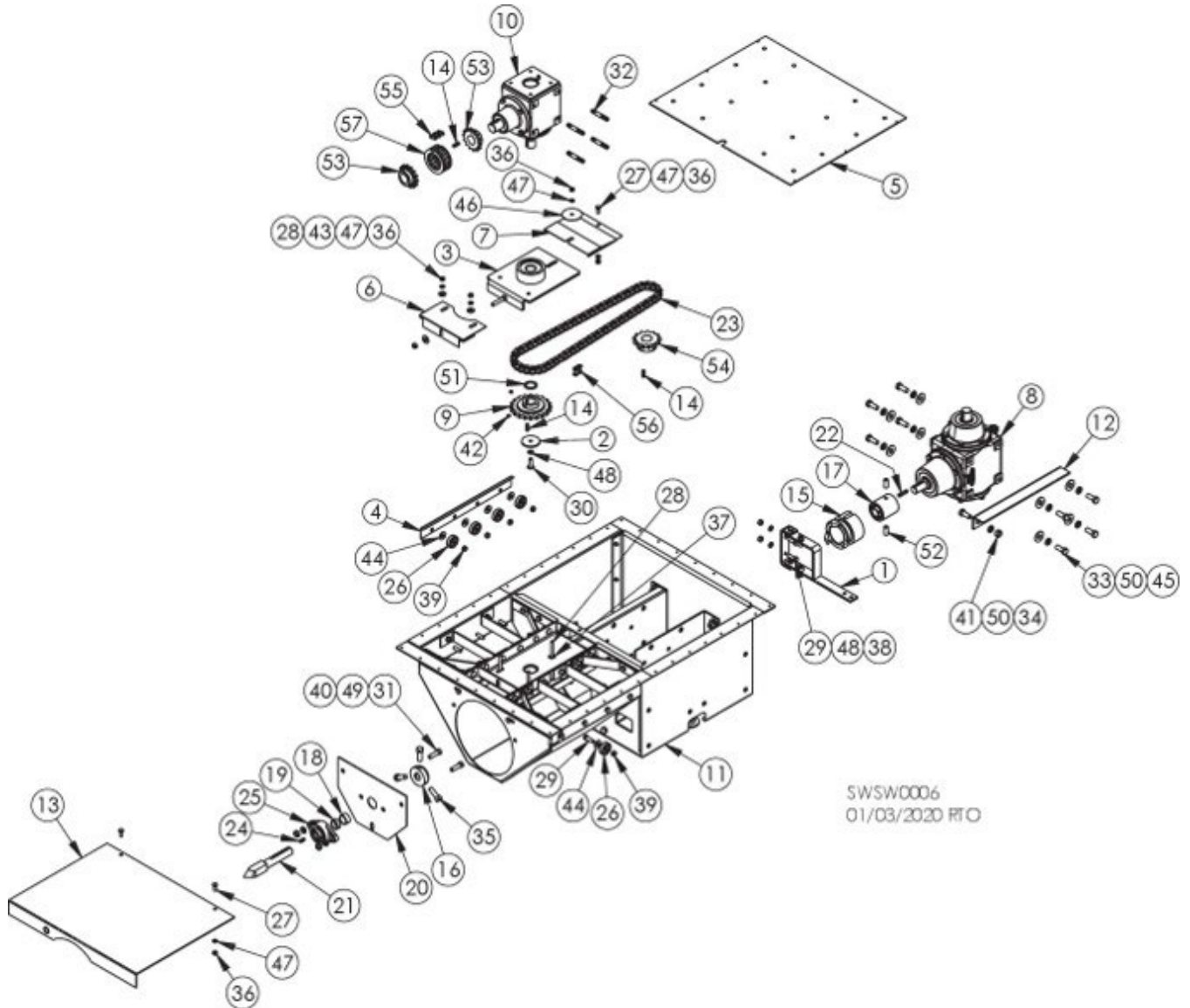
REF#	DESCRIPTION	QTY.	2011-2020	2020 ->
1	Clutch shifter arm assembly	1	E53132	E53132
2	Chain, #50, 73 links	1		E5319
	#50 chain, 75 links	1	E53876	
3	Spacer washer, 3/8" ID, 2-1/4" OD	1	E5324	E5324
4	Weld support plate w/ snap ring, 10"	1	E5339	E5339
5	Side gate rail	2	E5350-14	E5350-14
6	Sump cover	1	E5354	E5354
7	Gearbox support cover	1	E5357	E5357
8	Top gearbox	1	E5374	E5374
9	Center sump shell	1	E5376	E5376
10	Lower gearbox	1	E5378	E5378
11	Mounting plate	1	E5387	E53871
12	Gearbox support angle brace	1	E53874	E53874
13	Chain cover	1	E53875	E58375
14	Lower gearbox spacer bar	4	E53877	E53877
15	Slide gate	1	E5477	E5477
16	Sprocket, 50B18, 1" bore	1	E5837	E5837

Center Sump

17	Key, 1/4 sq. x 1"	2	E5915	E5915
18	Three-tooth engaging clutch	1	E60011	E60011
19	3-bolt clutch base	1	E6002-01	E6002-01
20	Clutch base w/ set & pilot bearing, 2 bolt	1	E60031	E60031
	Only the bearing	1	J0030	J0030
	Only the bolts	2	J1390	J1390
21	Clutch spacer, 5/8" long	1	E60041	E60041
22	Clutch spacer, 7/16" long	1	E60042	E60042
23	Square-end shaft	1	E6006	E6006
24	Key, 1/4 x 1-1/2"	1	E9007	E9007
25	Key, 1/4" x 3/4"	1	G7508	G7508
26	1" flange bearing	1	J00031-SKF	J0003
27	Roller bearing 1-1/2", 3/8" bore	10	J0045	J0045
28	Bolt, 5/16 - 18 x 3/4"	3	J0520	J0520
29	Carriage bolt, 5/16 - 18 x 2-1/2"	3	J0589	J0589
30	Bolt, 3/8 - 16 x 1-1/4"	4	J0616	J0616
31	Bolt, 3/8 - 16 x 1-1/4", zinc plated	1	J06161	J06161
32	Screw, 7/16 - 14 x 1-1/2"	10	J0710	J0710
33	Stud bolt, 7/16 - 14 x 2-3/4"	4	J07211	J07211
34	Screw, 1/2 - 13 x 1-1/4"	3	J0728	J0728
35	Bolt, 1-1/2 x 1/2"	3	J0730	J0730
36	Hex nut, 5/16" - 18	6	J1002	J1002
37	Flat nut, 5/16" - 18	1	J1009	J1009
38	Hex nut, 3/8" - 16	2	J1020	J1020
39	Lock nut, 3/8" - 16	11	J1025	J1025
40	Hex nut, 7/16" - 14	2	J1035	J1035
41	Hex nut, 1/2" - 13	3	J1040	J1040
42	Setscrew, 5/16" - 18	2	J1080	J1080
43	Flat washer, 5/16"	2	J1111	J1111
44	Flat washer, 3/8"	11	J1117	J1117
45	Flat washer, 7/16"	8	J1120	J1120
46	Flat washer, 1/2"	1	J1125	J1125
47	Washer, 2-1/2" OD, 3/8" ID, 14ga	1	J1140	J1140
48	Split lock washer, 5/16"	6	J1200	J1200
49	Split lock washer, 3/8"	3	J1205	J1205
50	Split lock washer, 7/16"	10	J1210	J1210
51	Lock washer, 1/2"	3	J1215	J1215
52	Machine bushing, 1", 18ga	2	J1266	J1266
53	Allen-head setscrew, 1/2 x 1-1/4"	2	J1390	J1390
54	Sprocket, 50B12H, 1" bore w/ keyway	1	J1660	J1660
55	Sprocket, 1" bore	2	J1663 + J1665	J1663 + J1665
56	#50 chain connector link	1	204711050100	204711050100
57	Double chain link connector, #50	1	J1761	J1761
58	Double chain, #50, 13 links	1	S7023	S7023

Center Sump

10" CENTER SUMP



SWSW0006
01/03/2020 RFO

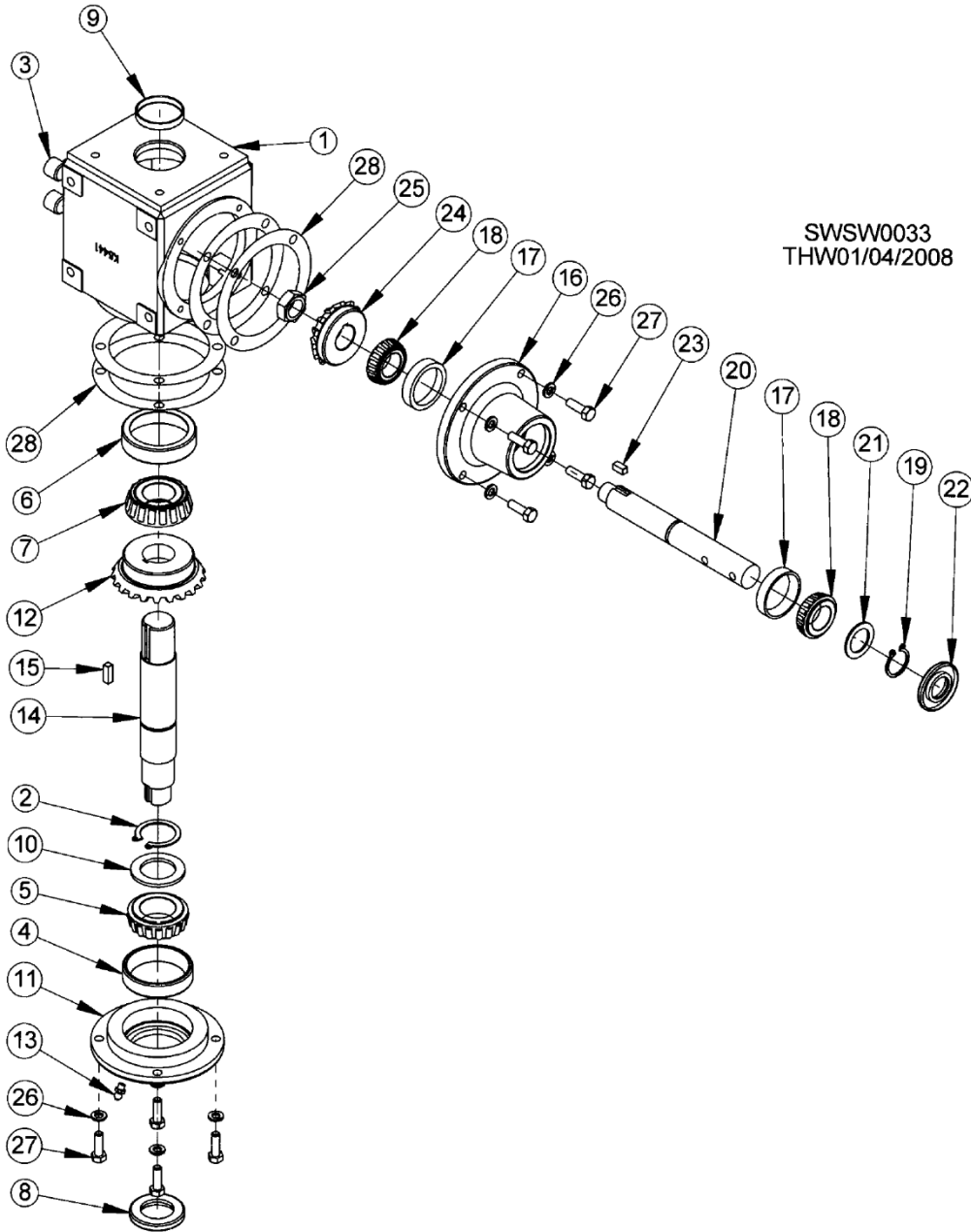
REF. #	DESCRIPTION	QTY.	2011-2020	2020 ->
1	Clutch shifter arm assembly	1	E53132	E53132
2	Spacer washer, 3/8" ID, 2-1/4" OD	1	E5324	E5324
3	Weld support plate w/ snap ring, 10"	1	E5339	E5339
4	Side gate rail	2	E5350-14	E5350-14
5	Sump cover	1	E5354	E5354
6	Gearbox support cover	1	E5357	E5357
7	Chain cover	1	E5358	E5358
8	Lower gearbox	1	E5360	E5360
9	Sprocket, 60B20, 1.1811" bore	1	E5373	E5373
10	Top gearbox	1	E5375	E53751
11	Center sump shell	1	E5377	E5377
12	Gearbox support angle brace	1	E53874	E53874
13	Slide gate	1	E5478	E5478

Center Sump

14	Key, 1/4 sq. x 1"	2	E5915	E5915
15	Three-tooth engaging clutch	1	E60011	E60011
16	3-bolt clutch base	1	E6002-01	E6002-01
17	Clutch base w/ set & pilot bearing, 2 bolt	1	E60031	E60031
	Only the bearing	1	J0030	J0030
	Only the bolts	2	J1390	J1390
18	Clutch spacer, 5/8" long	1	E60041	E60041
19	Clutch spacer, 7/16" long	1	E60042	E60042
20	Mounting plate	1	E60051	E60051
21	Square-end shaft	1	E6006	E6006
22	Key, 1/4 x 1-1/2"	1	E9007	E9007
23	#60 chain, 69 links	1	E5359	EU0139
24	Key, 1/4" x 3/4"	1	G7508	G7508
25	1" flange bearing	1	J0003	J0003
26	Roller bearing 1-1/2", 3/8" bore	10	J0045	J0045
27	Bolt, 5/16 - 18 x 3/4"	3	J0520	J0520
28	Carriage bolt, 5/16 - 18 x 2-1/2"	3	J0589	J0589
29	Bolt, 3/8 - 16 x 1-1/4"	4	J0616	J0616
30	Bolt, 3/8 - 16 x 1-1/4", zinc plated	1	J06161	J06161
31	Screw, 7/16 - 14 x 1-1/2"	2	J0710	J0710
32	Stud bolt, 7/16 - 14 x 2-3/4"	4	J07211	J07211
33	Screw, 1/2 - 20 x 1-1/4"	8	J0724	J0724
34	Screw, 1/2 - 13 x 1-1/4"	1	J0728	J0728
35	Bolt, 1-1/2 x 1/2"	3	J0730	J0730
36	Hex nut, 5/16" - 18	6	J1002	J1002
37	Flat nut, 5/16" - 18	1	J1009	J1009
38	Hex nut, 3/8" - 16	2	J1020	J1020
39	Lock nut, 3/8" - 16	11	J1025	J1025
40	Hex nut, 7/16" - 14	2	J1035	J1035
41	Hex nut, 1/2" - 13	1	J1040	J1040
42	Setscrew, 5/16" - 18	4	J1080	J1080
43	Flat washer, 5/16"	2	J1111	J1111
44	Flat washer, 3/8"	11	J1117	J1117
45	Flat washer, 1/2"	8	J1125	J1125
46	Washer, 2-1/2" OD, 3/8" ID, 14ga	1	J1140	J1140
47	Split lock washer, 5/16"	6	J1200	J1200
48	Split lock washer, 3/8"	3	J1205	J1205
49	Split lock washer, 7/16"	2	J1210	J1210
50	Lock washer, 1/2"	9	J1215	J1215
51	Machine bushing, 30mm ID x 4mm OD	1	J1268	J1268
52	Allen-head setscrew, 1/2 x 1-1/4"	2	J1390	J1390
53	Sprocket, 50B14, 1-1/4" bore	2	J1667	J1667
54	Sprocket, 60B13, 1-1/4" bore	1	J1695	J1686
55	Double chain link connector, #50	1	J1761	J1761
56	#60 chain connector link	1	204711050100	204711050100
57	Double chain, #50, 13 links	1	S7023	S7023

Center Sump

6" & 8" TOP GEARBOX



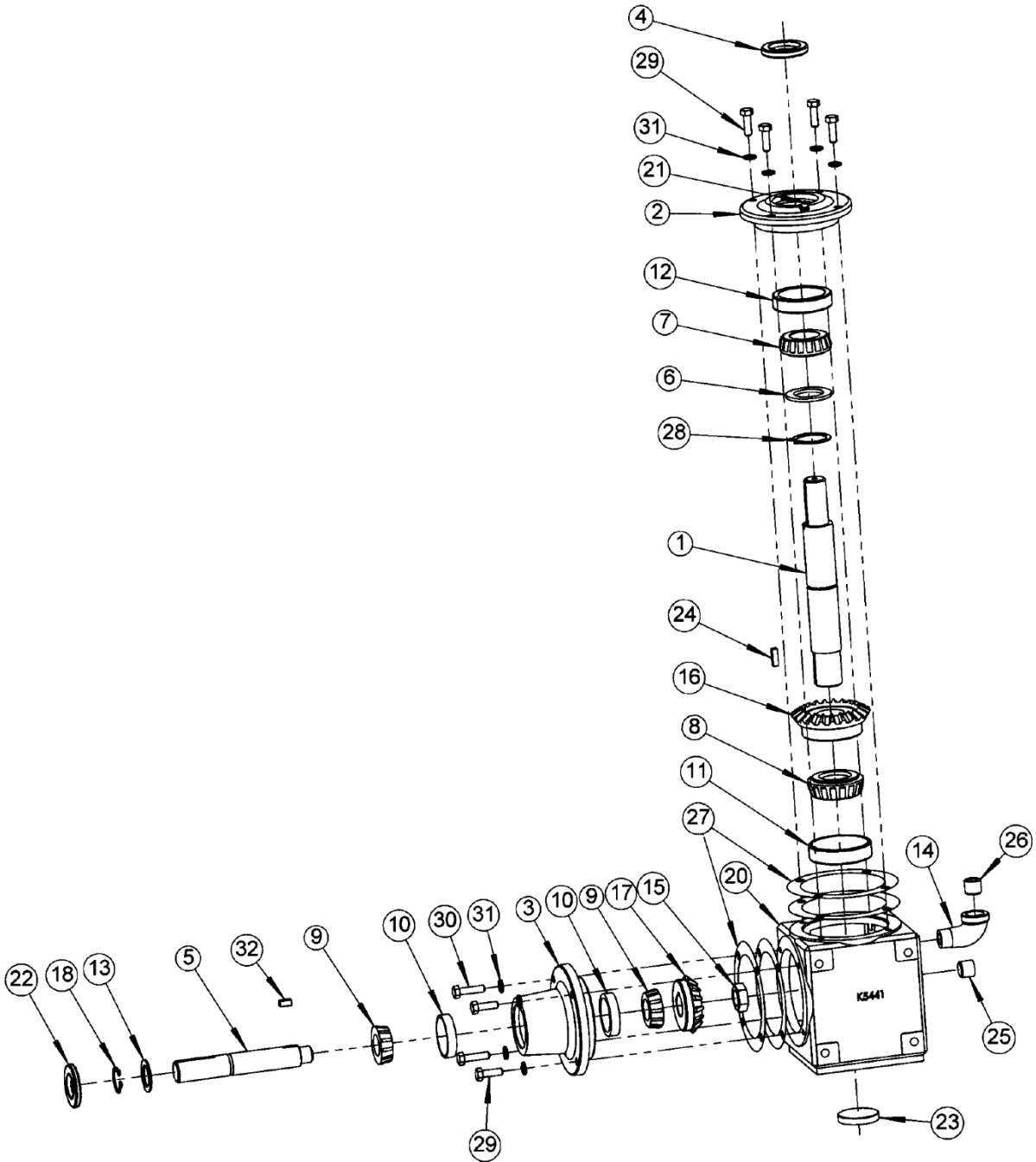
Center Sump

REF.#	DESCRIPTION	QTY	PART NR.
	Complete gearbox, sump, top 6", 8" (prior to 2011)		E5325
	Complete gearbox, sump, top 8" 2011 XL		E5374
1	Gearbox case, two hole	1	F9004
2	Snap ring, 1.37, 5160-137	1	J3589
3	Plug, sunk head, 1/2" hex center	2	J2615
4	Cup, 2-23/32" OD, 14276	1	J0115
5	Tapered bearing, 14137A, Timken, 1-3/8"	1	J0120
6	Bearing cup, Timken, 02820	1	J0125
7	Tapered bearing, 1-1/4", .94, 02875	1	J0130
8	Seal, 1-3/8 x 2.129, R/C, 13650	1	J7010
9	Soft plug, 1-7/8", PC	1	J6980
10	Machine bushing, 1-3/8", 10ga, N rim	1	J1275
11	Open end plate w/ grease zerk cup & SI	1	E59021
12	Gear, 21-tooth w/ 1-1/4" bore	1	F4742
13	Drive-in grease zerk, 1/4"	1	J3605
14	Shaft, 8-3/8 x 1-3/8" w/ keyway, 6" (always), 8" (prior to 2011)	1	E5901-DC-1H
	Shaft, 8.601, 1-3/8" w/ keyway, 8", 2011 XL	1	E5908-DC-1H
15	Square key, 1/4" x 13/16"	1	J3619
16	Gear box hub	1	F9007
17	Bearing cup, L-44610	2	J0105
18	Tapered bearing, 14137A, Timken, 1-3/8"	2	J0111
19	Snap ring, 1.00, 329, Eaton	1	J3584
20	Upper gearbox connector shaft, 1 x 8"	1	E5903
21	Machine bushing, 1", 1ga, N rim	1	J1265
22	Seal, 1.000 x 2.004, R/C, 10124	1	J6993
23	Square key, 1/4 x 9/16"	1	J3618
24	Small gear, (14 teeth)	1	F4740
25	Thin nylon lock nut, 3/4" - 16, PLT	1	J1055
26	Split lock washer, 5/16", PLT	8	J1200
27	Screw, 5/16 - 18 X 1", PLT, GR5	8	J0527
28	Shim, 3.88 x 5.12 x 0.003	As needed	J7090
	Shim, 3.88 x 5.12 x 0.010	As needed	J70901

Center Sump

6" & 8" LOWER GEARBOX

SWSW0002
THW01/07/2007

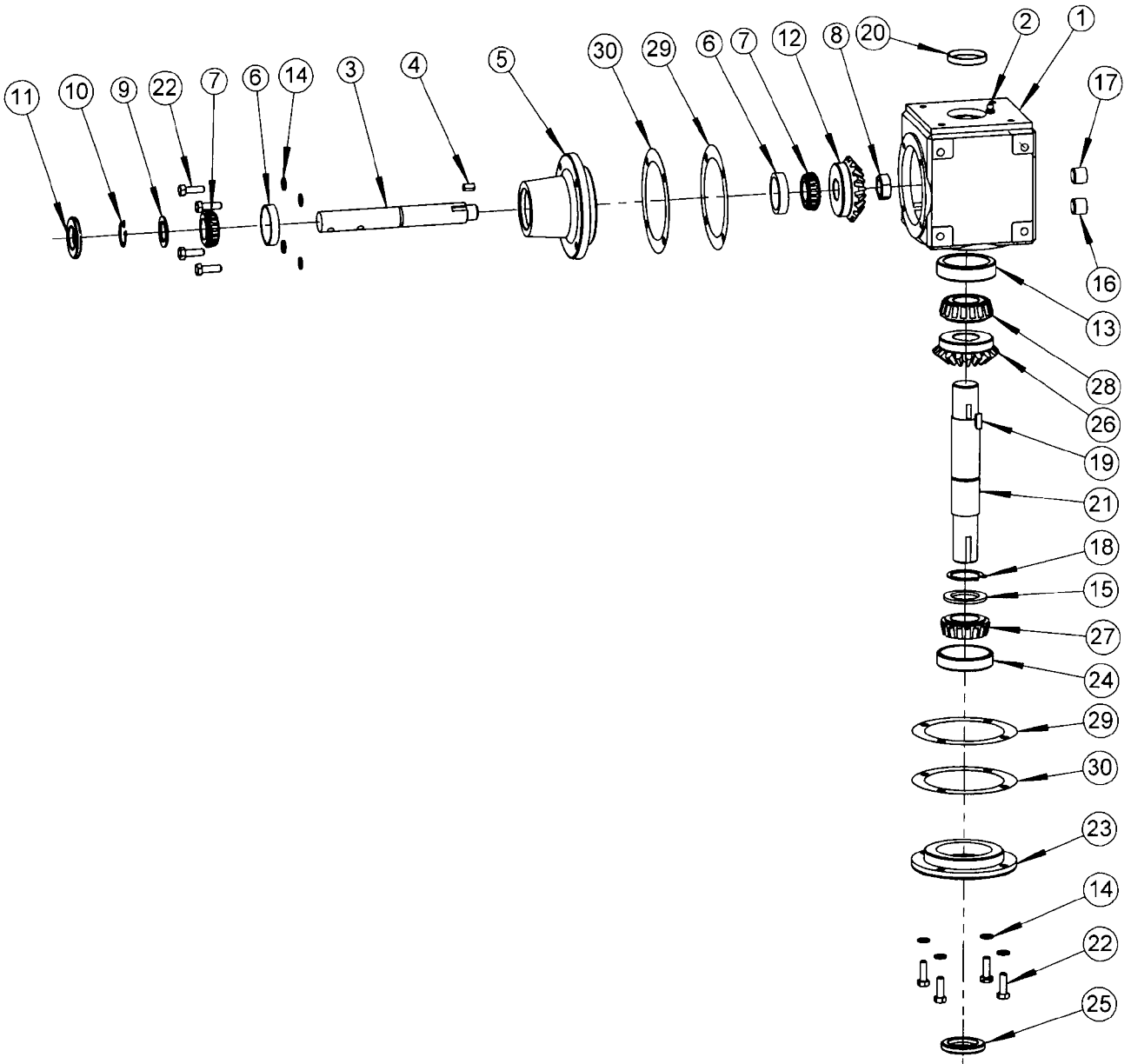


Center Sump

REF. #	DESCRIPTION	QTY.	PART NR.
	Complete gearbox, lower sump, 6", 8" (prior to 2011)		E5320
	Complete gearbox, lower sump, 8", 2011 XL		E5378
1	Shaft, 1-3/8" main, lower sump, 6", 8" (prior to 2011)	1	E5900
	Shaft, 10-7/16", 13/8" w/ keyway, 8", 2011 XL	1	E5927
2	Open end plate w/ grease zerk & cup	1	E59021
3	Lower hub, 6" & 8" complete	1	F3015
	Hub only		F3007
4	Seal, 1-3/8"	1	J7010
5	1" keyway shaft x 6-1/2", lower	1	F4738
6	Machine bushing, 1-3/8", 10ga	1	J1275
7	Bearing, 14137A	1	J0120
8	Bearing, 02875	1	J0130
9	Bearing, L44643	2	J0110
10	Bearing cup, L44610	2	J0105
11	Bearing cup, 02820	1	J0125
12	Bearing cup, 14276	1	J0115
13	Machine bushing, 1", 14ga	1	J1265
14	Street elbow, 1/2 x 90°, upper sump	1	J2520
15	Lock nut, 3/4" - 16 thin nylon	1	J1055
16	Gear, 21 teeth 1-1/4" bore	1	F4742
17	Gear, 14 teeth	1	F4740
18	Snap ring, 1"	1	J3584
20	Gearbox case, complete w/ grease zerk	1	F90041
	Gearbox case only		F9004
21	Grease zerk 1	1	J3605
22	1" seal 1	1	J6993
23	Soft plug, 1-7/8" 1	1	J6980
24	Square key, 1/4 x 13/16"	2	J3619
25	Black plug, 1/2"	1	J2615
26	1/2" center sunk head vented plug	1	J2616
27	Plastic shims, .003 thick As needed	As needed	J7090
	Plastic shims, .010 thick As needed	As needed	J70901
28	Snap ring, 1-3/8"	1	J3589
29	Screw, 5/16 - 18 x 1", GR5 (Not shown)	6	J0527
30	Screw, 5/16 - 18 x 1-1/4", GR5 (Not shown)	2	J0550
31	Lock washer, 5/16 (Not shown)	8	J1200
32	Square key, 1/4 x 9/16"	1	J3618

Center Sump

10" TOP GEARBOX BEFORE 2020



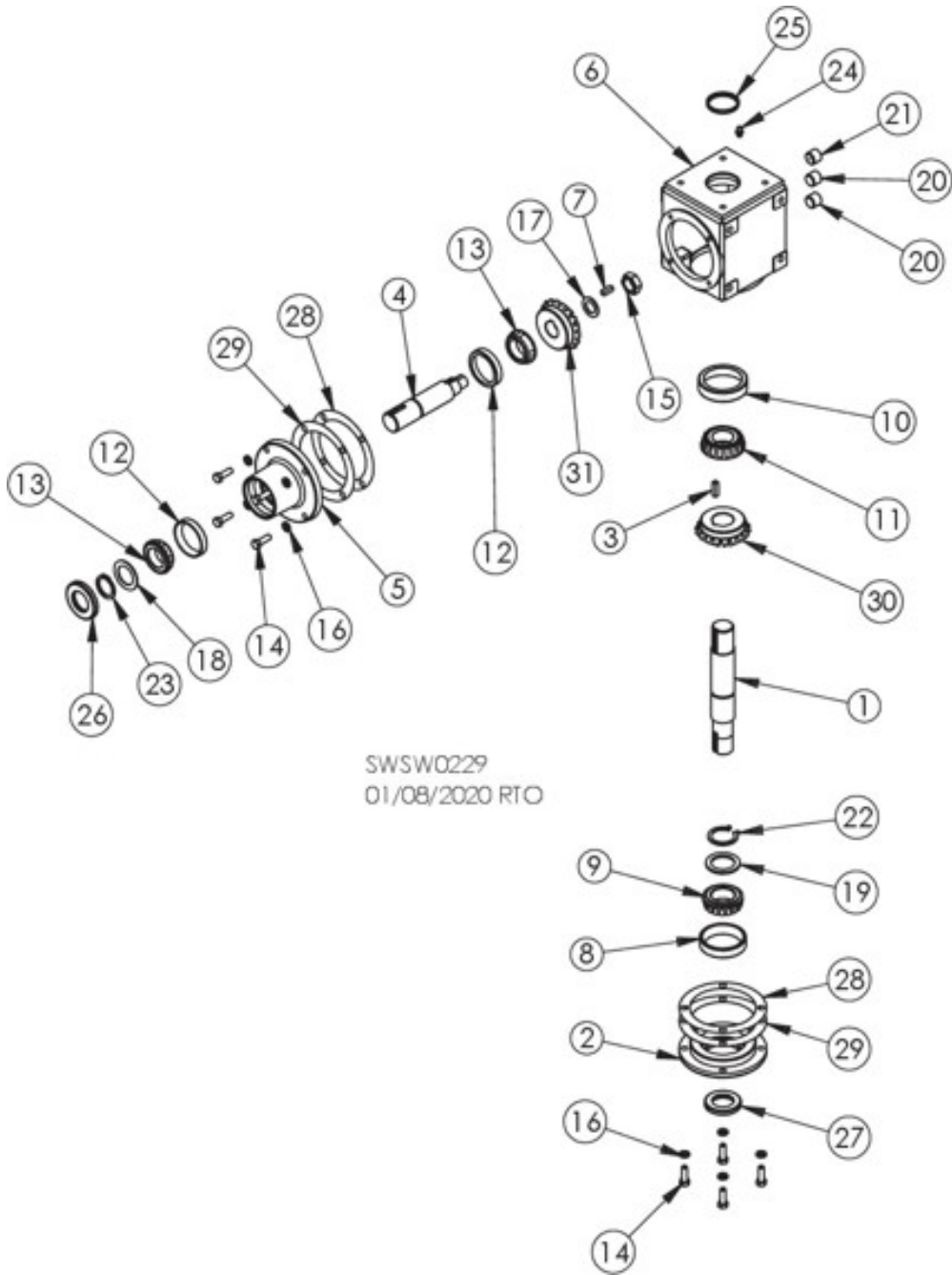
SWSW0050
THW01/04/2008

Center Sump

REF. #	DESCRIPTION	QTY.	COMP. #
1	Gearbox casting	1	F9004
2	Drive-in grease zerk, 1/4"	1	J3605
3	Upper gearbox connection shaft, 1 x 8"	1	E5903
4	Square key, 1/4 x 9/16"	1	J3618
5	Standard hub w/cup (J0105)	1	F9007
6	Bearing cup, L-44610	2	J0105
7	Tapered bearing, 14137A, Timken, 1-3/8"	2	J0111
8	Thin nylon lock nut, 3/4" -16, PLT	1	J1055
9	Machine bushing, 1" x 14ga, N-rim 1	1	J1265
10	Snap ring, 1.00, 329, Eaton	1	J3584
11	Seal, 1.000 x 2.004, R/C,	1	J6993
12	Bevel gear, 1" bore, 18 teeth	1	S6051
13	Bearing cup, Timken, 02820	1	J0125
14	Split lock washer, 5/16", PLT	8	J1200
15	Machine bushing, 1-3/8" x 10ga, N-rim	1	J1275
16	1/2" center sunk hex head plug	1	J2615
17	1/2" center sunk head vented plug	1	J2616
18	Snap ring, 1.37, 5160 - 137	1	J3589
19	Square key, 1/4" x 13/16"	1	J3619
20	Soft plug, 1-7/8", PC	1	J6980
21	Shaft, 8-3/4", w/ keyway	1	E5379
22	Screw, 5/16 – 18 x 1", PLT, GR5	8	J0527
23	Open end plate	1	E5902
24	Cup, 2-23/32" OD 14276	1	J0115
25	Seal, 1.375 x 2.129, R/C,	1	J7010
26	Bevel gear, 1-1/4" bore, 18 teeth	1	E5372
27	Tapered brng, 14137 A, Timken, 1-3/8"	1	J0120
28	Tapered bearing, 1-1/4", .94,	1	J0130
29	Shim, 3.88 x 5.12 x 0.003 As needed J7090	As needed	J7090
30	Shim, 3.88 x 5.12 x 0.010 As needed J70901	As needed	J70901

Center Sump

10" TOP GEARBOX AFTER 2020



Center Sump

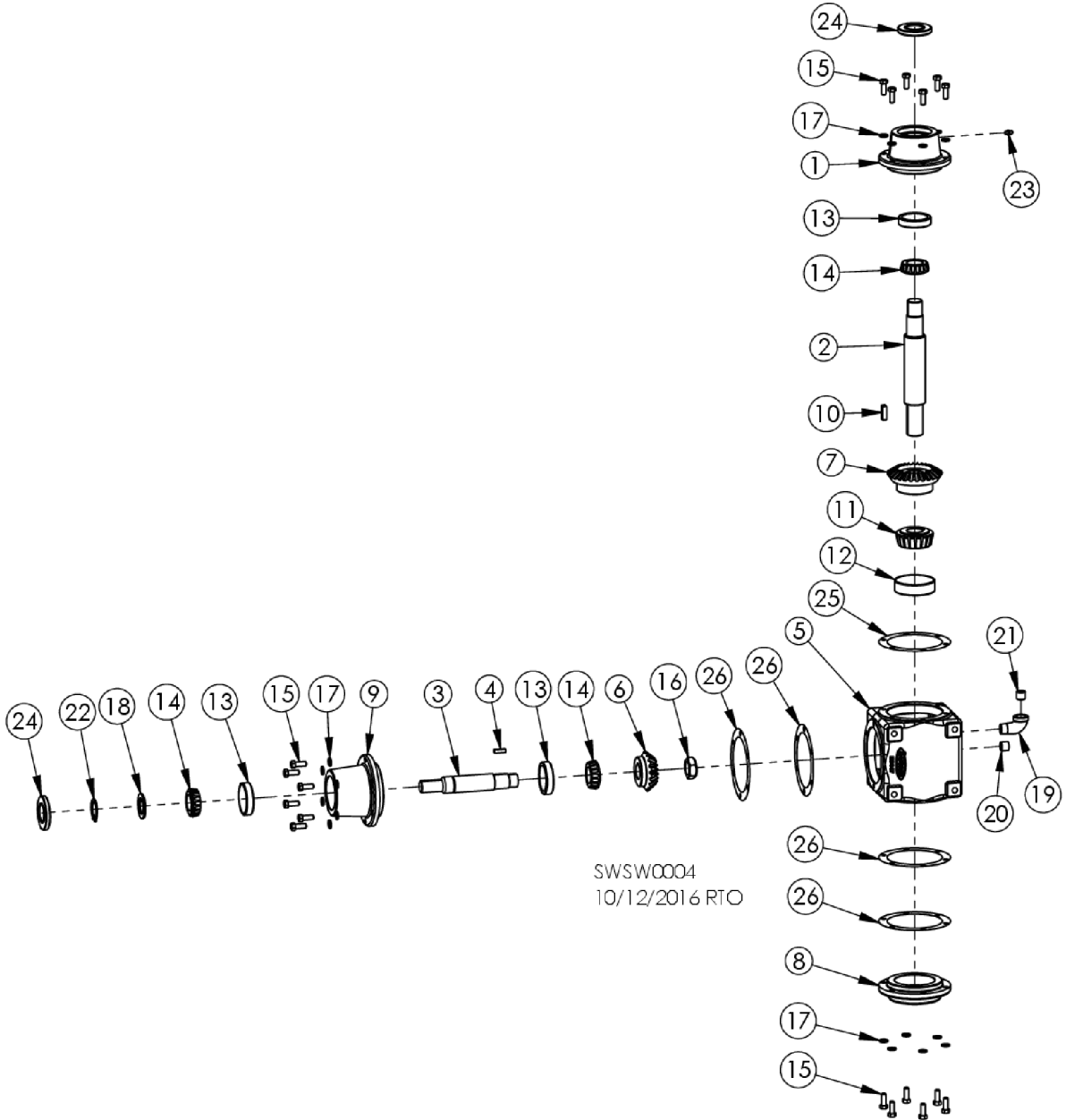
REF. #	DESCRIPTION	QTY.	PART NR.
	Complete gear		E53751 *
1	Sprocket shaft	1	E5379
2	Plate, open end	1	E5902-01
3	Key, 1/4" x 1"	1	E5915
4	Shaft, 8"	1	EU0839 **
5	Output hub, 1-1/4" shaft	1	EU0840
6	Gearbox case	1	F9004
7	Key, 1/4" sq. x 3/4"	1	G7508
8	Bearing cup, 2-23/32 OD	1	J0115
9	Tapered bearing, 1-3/8"	1	J0120
10	Bearing cup	1	J0125
11	Tapered bearing, 1-1/4", .94	1	J0130
12	Bearing cup	2	J0133
13	Tapered bearing, 1-1/4"	2	J0134
14	Screw, 5/16 – 18 x 1	8	J0527
15	Lock nut, 3/4" - 16	1	J1055
16	Split lock washer, 5/16"	8	J1200
17	Machine bushing, 3/4 x 1-1/4", 14ga	1	J1260
18	Machine bushing, 1-1/4", 14ga	1	J1273
19	Machine bushing, 1-3/8", 10ga	1	J1275
20	1/2" center sunk hex head plug	2	J2615
21	1/2" center sunk head vented plug	1	J2616
22	Snap ring, 1.37"	1	J3589
23	Snap, ring, 1-3/4"	1	J35981
24	Drive-in grease zerk, 1/4"	1	J3605
25	Soft plug, 1-7/8"	1	J6980
26	Seal, 1-1/4 2.378	1	J7005
27	Seal, 1-3/8" x 2.129, r/c	1	J7010
28	Plastic shim, 0.003" thick	As needed	J7090
29	Plastic shim, 0.010 thick	As needed	J70901
30	Beveled gear, 18-tooth, 1-1/4" bore	1	J8528
31	Beveled gear, 18-tooth, 1" bore	1	J8529

* 2011-2020 Complete gear E5375

** 2011-2020 Shaft, 8-3/4, w*keyway E5379-DC-1H

Center Sump

10" LOWER GEARBOX

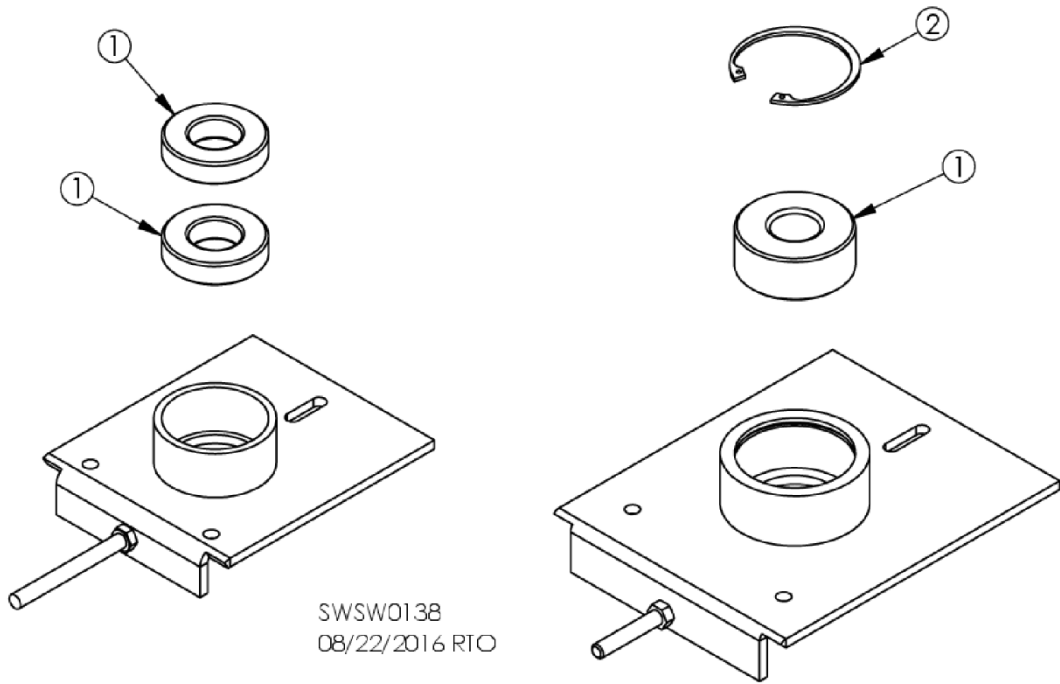


Center Sump

REF. #	DESCRIPTION	QTY.	PART NR.
	Complete gear		E5360
1	Hub casting, HD, 1-3/8", 10", 1998 1 E5365	1	E5365
2	Gearbox shaft, 10" 1 E5366	1	E5366
3	Shaft, 8-5/16" 1 E5367	1	E5367
4	Key, 1/4" sq. x 1" 1 E5915	1	E5915
5	Bottom gearbox casting, HD, 3 hole 1 F9051	1	F9051
6	Bevel gear, 18 tooth, 1-1/4" bore 1 F9052	1	F9052
7	Gear, 27-tooth, 1-3/8" bore 1 F9053	1	F9053
8	Closed end plate 1 F9061-01	1	F9061-01
9	Gearbox hub, 1-3/8" 1 F9065-01	1	F9065-01
10	Key, 3/8 x 1-1/4" 1 G5315	1	G5315
11	Bearing, 1-3/8" ID, 3872, Timken 1 J0027	1	J0027
12	Cup, 3-3/8" OD, 3820, 3821, Timken 1 J0028	1	J0028
13	Cup, 2-23/32" OD, 14276 3 J0115	3	J0115
14	Tapered bearing, 14137A, Timken, 1-3/8" 3 J0120	3	J0120
15	Screw, 3/8 - 24 x 1", PLT, GR5 18 J0612	18	J0612
16	Thin nylon lock nut, 1-1/8" - 12, PLT 1 J1067	1	J1067
17	Split lock washer, 3/8" 18 J1205	1	J1205
18	Machine bushing, 1-3/8 x 10ga, N-rim 1 J1275	2	J1275
19	Street elbow, 1/2", 90°, Sch 40 1 J2520	1	J2520
20	1/2" center sunk hex head plug 2 J2615	1	J2615
21	1/2" center sunk head vented plug 1 J2616	1	J2616
22	Snap ring, 1.37, 5160-137 1 J3589	1	J3589
23	Drive-in grease zerk, 1/4" 1 J3605	1	J3605
24	Seal, 1.38 ID, N, 472658 2 J7061	2	J7061
25	Shim, 4.625 x 6.010 x 0.003 1 J7085	1	J7085
26	Shim, 4.625 x 6.010 x .010 4 J7088	4	J7088

Center Sump

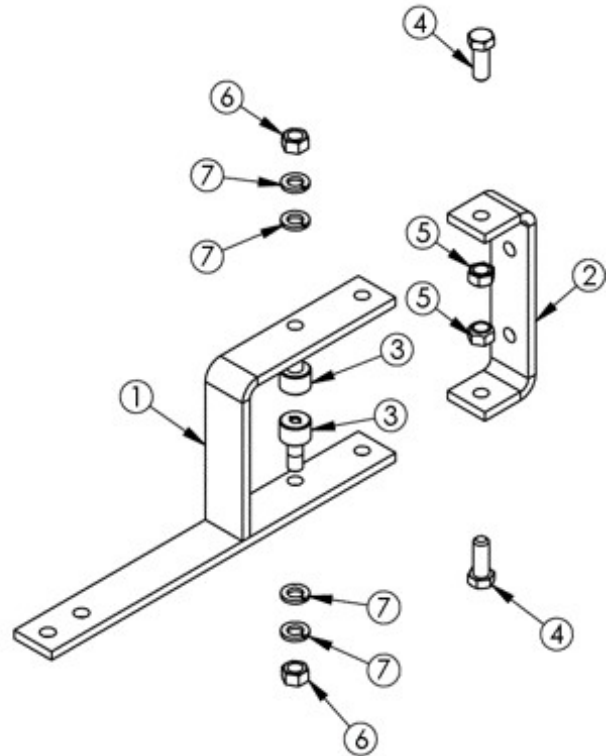
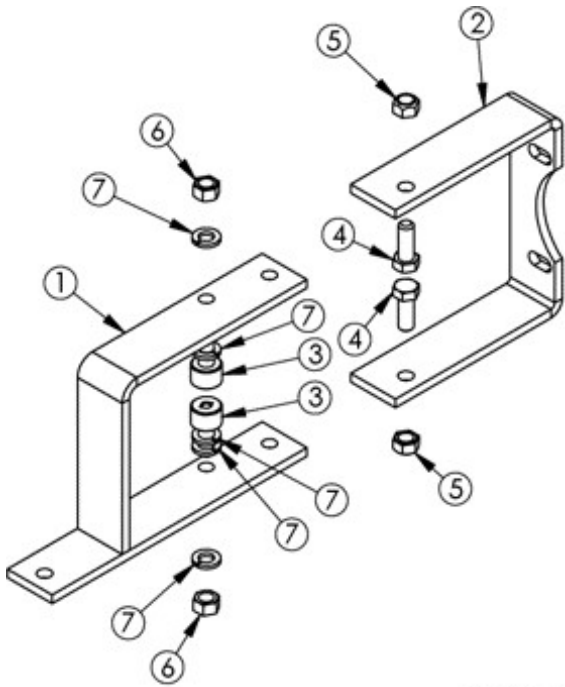
TOP GEARBOX BEARING SUPPORT SLIDE PLATE



REF. #	DESCRIPTION	QTY.	6" - 8"	8" & 10" XL
1	Bearing, 1-1/4" ID, 2-1/2" OD	2	J0060F	
	Bearing, 1.1811 ID, 2.8346 OD	1		J00599
2	Snap ring, 2.047"	1		J35991

* Also 8" prior to 2011

CLUTCH SHIFTER ARM

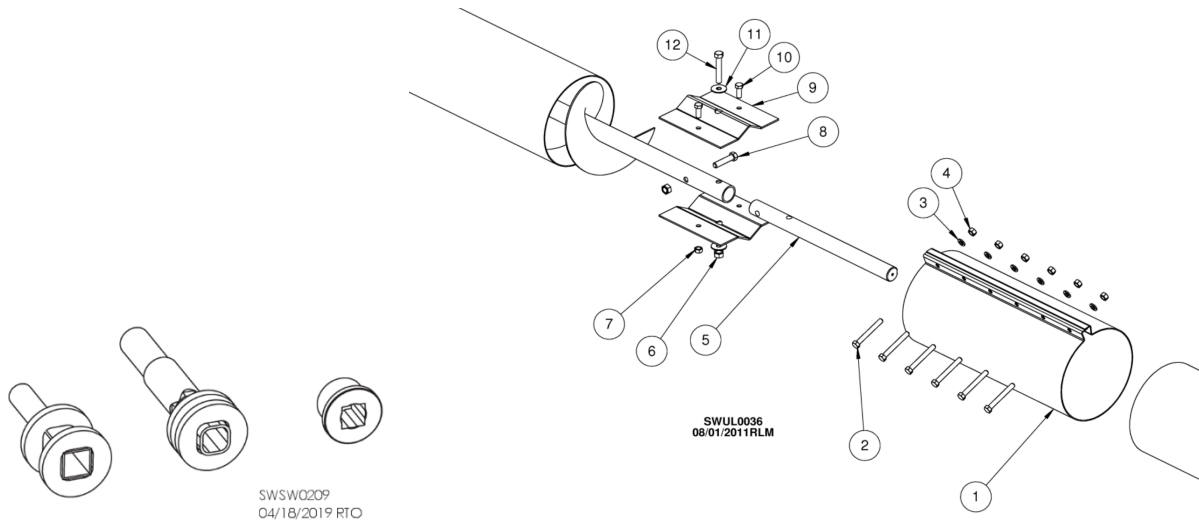


SWSW0137
08/22/2016 RTO

REF. #	DESCRIPTION	QTY.	6" - 8"*	8" & 10" XL
	Complete		E5313	
1	Clutch arm weldment	1	E53131	E5351
2	Clutch shifter support bracket	1	E5311	E5352
3	Bearing, 3/4", cam follower	2	J0035	J0035
4	Screw, 3/8 -16 x 1"	2	J0606	J0606
5	Lock nut, 3/8" - 16	2	J1025	J1025
6	Hex nut, 3/8" - 24	24	J1030	J1030
7	Split lock washer, 3/8"	4	J1205	J1205

Center Sump

CONNECTOR SLEEVE & UNLOAD AUGER



6" – E56261; 8" – E6401; 10" – E5417

REF. #	DESCRIPTION	QTY.	6" PART #	8" PART #	10" PART #	
1	Connector sleeve, 6 x 18"	1	E5423	--	--	
	Connector sleeve, 8 x 18"	1	--	E5424	--	
	Connector sleeve, 10 x 18"	1	--	--	E5425	
2	Screw, 3/8 - 16 x 3"	6	J0660	J0660	J0660	
	3	Lock washer, 3/8"	6	J1205	J1205	J1205
		4	Hex nut, 3/8 – 16	6	J1020	J1020
5			Shaft, 1" x 15-1/4", w/ key	1	E90061	--
	Shaft, 1-1/4 x 15-3/4", w/ key		1	--	E54151	--
	Shaft, 2 x 18", w/ key	1	--	--	E54142	
6	Lock nut, 5/16" – 18	2	J1010	--	--	
	Lock nut, 7/16" – 14	2	--	J1034	--	
	Lock nut, 1/2" – 13	2	--	--	J1042	
7	Lock nut, 3/8" – 16	2	J1025	J1025	J1025	
	8	Screw, 5/16 - 18 x 1-3/4"	1	J0570	--	--
		Screw, 7/16 - 14 x 2"	1	--	J0718	--
Screw, 1/2 - 13 x 3"		1	--	--	J0750	
9	Flinger, 3 x 5-3/8, 6"	2	E5416	--	--	
	Flinger, 5 x 6-1/2, 8"	2	--	E54161	--	
	Flinger, 7 x 7-1/2, 10"	2	--	--	E5689	
10	Screw, 3/8 - 16 x 1"	2	J0606	--	--	
	Screw, 3/8 - 16 x 1"	2	--	J0606	--	
	Screw, 3/8 - 16 x 1-3/4"	2	--	--	J0645	
11	Flat washer, 3/8"	2	--	J1117	--	
	12	Screw, 5/16 - 18 x 2"	1	J0585	--	--
		Screw, 7/16 - 14 x 2-1/2"	1	--	J0720	--
Screw, 1/2 - 13 x 3-1/2"		1	--	--	J0754	

Center Sump

Sneglevindinger for tømmesystem (incl. samleaksel, aksel for remskive og spredeplader)

6" tømmesystem (Diameter ca. 15 cm.)

Silo diameter	Snegl ved sump	Længde i cm.	Kort stykke	Længde i cm.
15'	E6430	335		
18'	E6431D	380		
21'	E6432D	430		
24'	E6433D	475		
27'	E6434D	523		
30'	E6435D	571		
33'	E6436D	617		
36'	E6417D	663		
42'	E6447	610	E64472D	130
48'	E6447	610	E64473D	221

8" tømmesystem (Diameter ca. 20 cm.)

Silo diameter	Snegl ved sump	Længde i cm.	Kort stykke	Længde i cm.
18'	E6451	380		
21'	E6452	430		
24'	E6453	475		
27'	E6454	523		
30'	E6455	571		
33'	E6456	617		
36'	E6457	663		
42'	E6472	610	E64582	130
48'	E6472	610	E64602	221
54'	E6472	610	E64621	312
60'	E6472	610	E64641	400

10" tømmesystem (Diameter ca. 25 cm.)

Silo diameter	Snegl ved sump	Længde i cm.	Kort stykke	Længde i cm.
24'	E6483	506		
27'	E6484	549		
30'	E6485	600		
33'	E6497	610	E64861	36
36'	E6497	610	E64871	82
42'	E6497	610	E64883	158
48'	E6497	610	E64901	249
54'	E6497	610	E64922	340
60'	E6497	610	E64941	432
72'	E6497	610	E6499	617