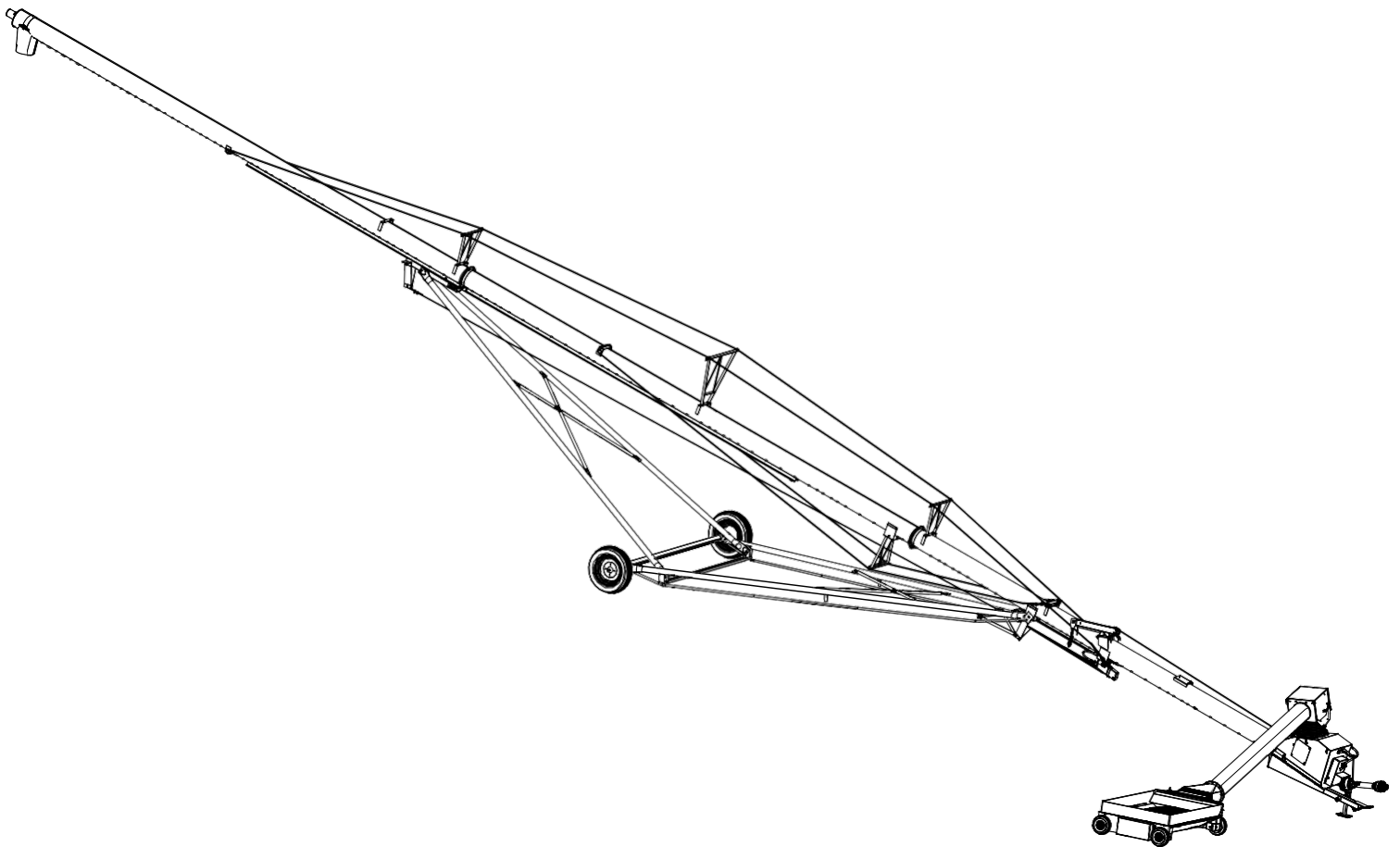


WESTFIELD

MKX100 SERIES AUGER

PARTS MANUAL



Revised: 13/07/2017

AGI 

This page intentionally left blank.

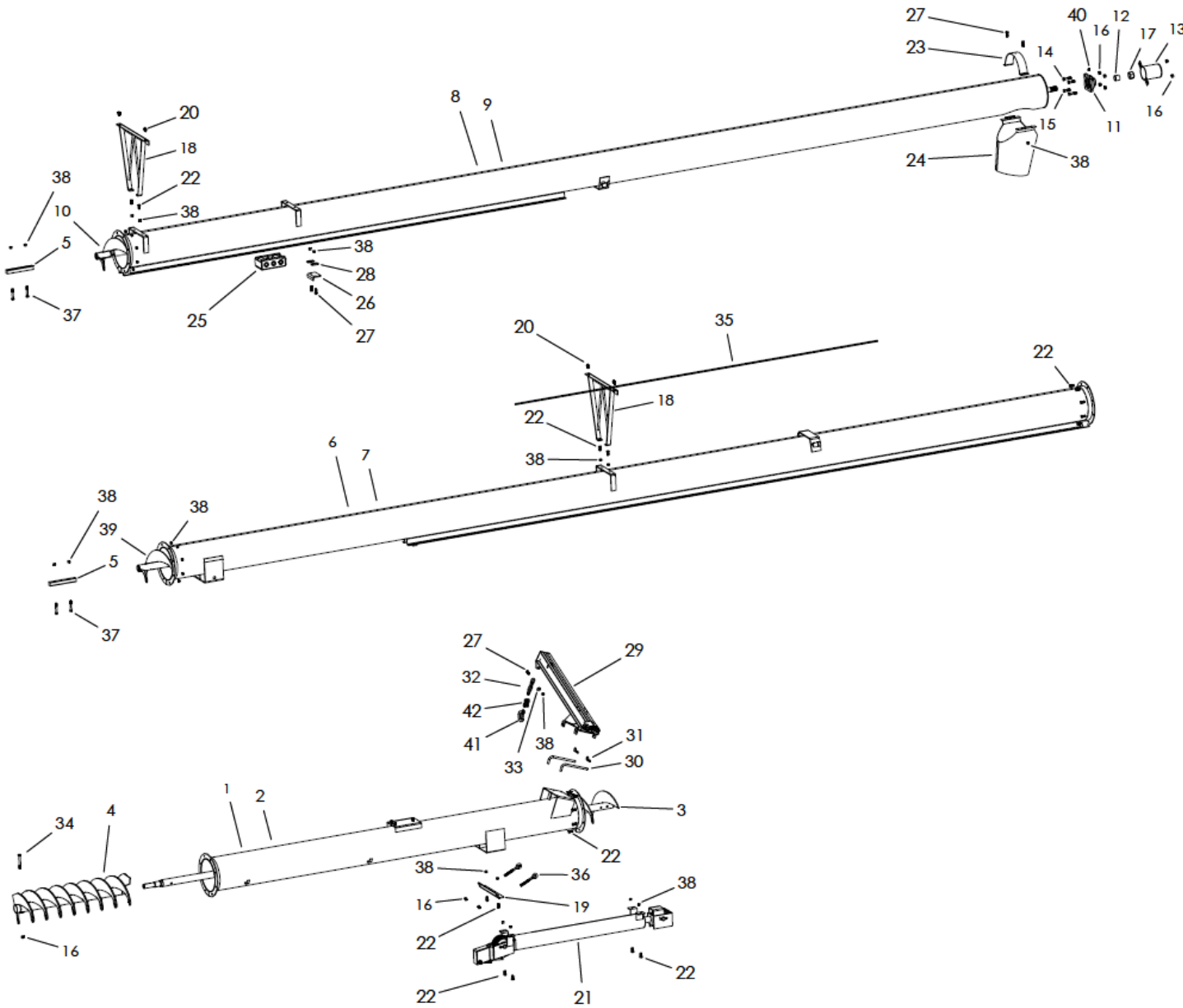
TABLE OF CONTENTS

DESCRIPTION	PAGE
MKX100-53 TUBES & TRUSS COMPONENTS	4
MKX100-63 TUBES & TRUSS COMPONENTS	6
MKX100-73 TUBES & TRUSS COMPONENTS	8
MKX100-83 TUBES & TRUSS COMPONENTS	10
MKX100-53 FRAME COMPONENTS	14
MKX100-63 FRAME COMPONENTS	16
MKX100-73 FRAME COMPONENTS	18
MKX100-83 FRAME COMPONENTS	20
MKX100-53 HYDRAULIC HOSE COMPONENTS	22
MKX100-63 HYDRAULIC HOSE COMPONENTS	23
MKX100-73 HYDRAULIC HOSE COMPONENTS	24
MKX100-83 HYDRAULIC HOSE COMPONENTS	25
BOOT (MKX100-53, 63 & 73)	26
BOOT (MKX100-83)	30
MKX100 SWING TUBE	34
MKX100 LOW PROFILE HOPPER	36
MKX100 STANDARD HOPPER	40
MKX100 HYDRAULIC WINCH [A296]	42
MKX100 HYDRAULIC VALVE [A336]	44
MKX100 RIGHT ANGLE DRIVE [A293]	46
MKX100 REVERSING KIT [A292]	48
A269 ELECTRIC POWER SWING-10"	50
A363 ELECTRIC LANDING GEAR POWER SWING - 10"	52
A270 HYDRAULIC POWER SWING-10"	54
A362 HYDRAULIC LANDING GEAR POWER SWING - 10"	56
MKX100 UPPER GEARBOX	60
MKX100 LOWER GEARBOX	62
MKX100-53, 63 & 73 CONSTANT VELOCITY PTO SHAFT (WEASLER)	64
MKX100-83 CONSTANT VELOCITY PTO SHAFT (WEASLER)	65
WORK LIGHT KIT (MKX100-63,73 & 83)	66

MKX100-53 TUBES & TRUSS COMPONENTS

ITEM	PART NO.	DESCRIPTION
1	10-21699	MKX100-53 LOWER TUBE BUNDLE
2	10-21698	MKX100-53 LOWER TUBE ONLY
3	10-21691	LOWER FLIGHT
4	10-21708	MKX/X10 BOOT FLIGHT
5	10-21690	MKX/X10 FLIGHT CONNECTING SHAFT
6	10-19546	7/16" X 3" NC BOLT GR 5 PLTD
7	10-19598	7/16" NC NYLON LOCKNUT GR 2 PLTD
8	10-21700	MKX100-53/63/73 UPPER TUBE BUNDLE
9	10-21724	MKX100-53/63/73 UPPER TUBE ONLY
10	10-21696	MKX100-53/63/73 UPPER FLIGHT
11	10-19567	BEARING, 1-1/4" PILLOW
12	10-21657	BUSHING, MKX/X10 THRUST ADJUSTER
13	10-27576	THRUST ADJUSTER COVER
14	10-27816	1/2" X 2" NC BOLT GR 5 PLTD
15	10-19974	1/2" X 1-3/4" NC BOLT GR 8 PLTD
16	10-19599	1/2" NC NYLON LOCKNUT GR 2 PLTD
17	10-21615	1-1/4" NF HEX NUT GR 5 PLAIN
18	10-19324	REGULAR TRUSS BRACKET
19	10-18032	TRUSS ATTACH ANGLE
20	10-19333	5/16" CABLE CLAMP
21	10-18033	CYLINDER ASSEMBLY
22	10-19542	7/16" X 1" NC BOLT GR 5 PLTD
23	10-19801	CLAMP, HALF
24	10-29307	SPOUT, 10 INCH ROLLED
25	10-18922	ROLLER TRACKSHOE
26	10-18745	TRACK STOP
27	10-18698	7/16" X 1-1/4" NC BOLT GR 8 PLTD
28	10-18917	TRACK STOP WASHER
29	10-21629	MKX/X100 HOPPER LIFT ARM
30	10-18074	MOUNT PIN
31	10-19463	SNAP PIN
32	10-21818	MKX/X10 LIFT ARM TRANSPORT HOOK ASSEMBLY
33	10-17182	7/16" TRACK WASHER
34	10-18947	1/2" X 4" NC BOLT GR 8 PLTD
35	10-28898	MKX1073 TRUSS CABLE
36	10-19331	EYE BOLT/NUT 1/2" X 5"
37	10-19222	GREASE ZERK
38	10-28997	1/2" EYE HOIST W/ HOOK
39	10-20083	MID LINK
40	10-17376	MK LP HOPPER CABLE (NOT SHOWN)

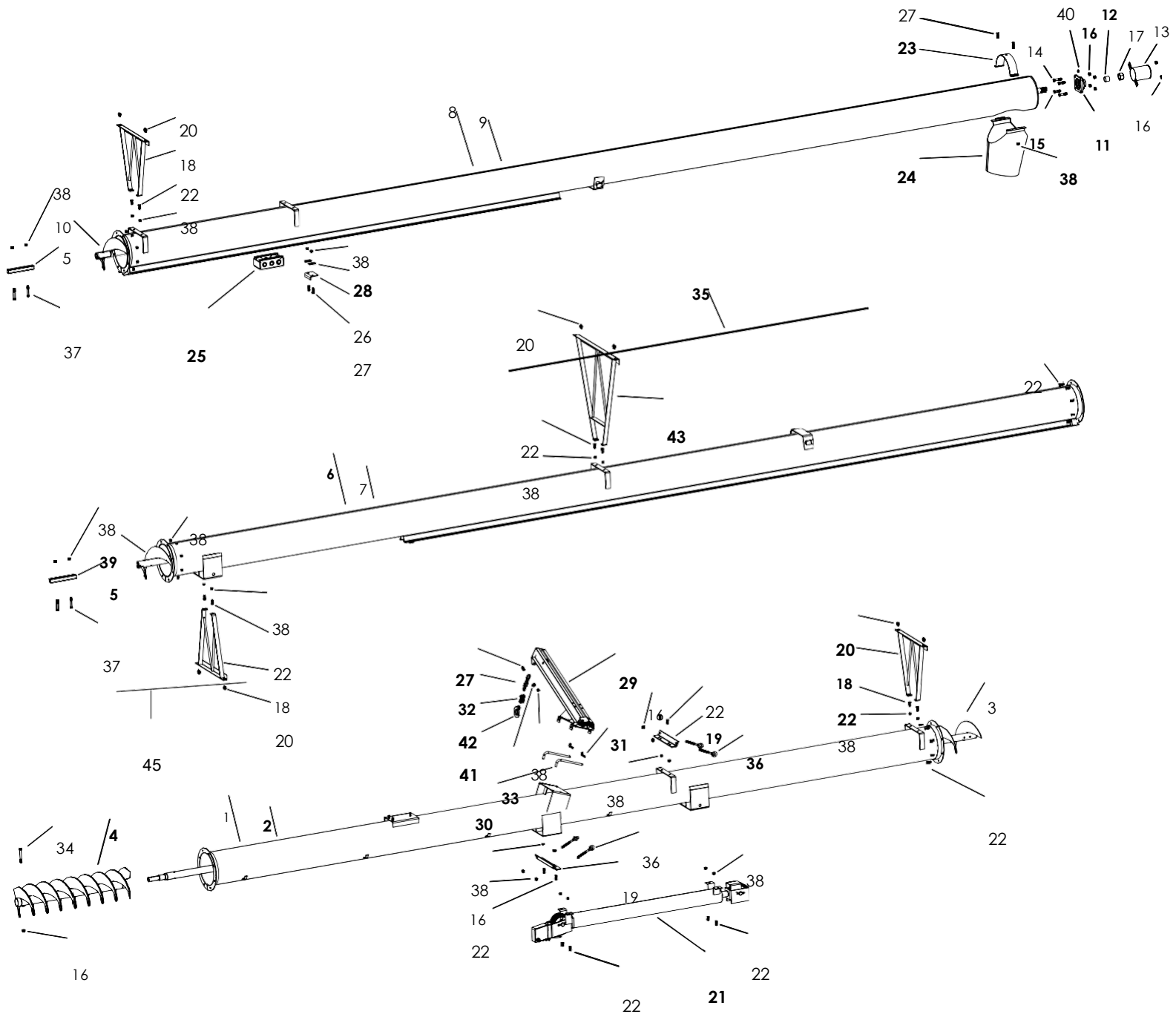
MKX100-63 TUBES & TRUSS COMPONENTS



MKX100-63 TUBES & TRUSS COMPONENTS

ITEM	PART NO.	DESCRIPTION
1	10-21702	MKX100-63 LOWER TUBE BUNDLE
2	10-21701	MKX100-63 LOWER TUBE ONLY
3	10-21692	MKX1063 LOWER FLIGHT
4	10-21708	MKX/X10 BOOT FLIGHT
5	10-21690	MKX/X10 FLIGHT CONNECTING SHAFT
6	10-21704	MKX100-63/73 MIDDLE TUBE BUNDLE
7	10-21703	MKX100-63/73 MIDDLE TUBE ONLY
8	10-21700	MKX100-53/63/73 UPPER TUBE BUNDLE
9	10-21724	MKX100-53/63/73 UPPER TUBE ONLY
10	10-21696	MKX100-53/63/73 UPPER FLIGHT
11	10-19567	BEARING, 1-1/4" PILLOW
12	10-21657	BUSHING, MKX/X10 THRUST ADJUSTER
13	10-27576	THRUST ADJUSTER COVER
14	10-27816	1/2" X 2" NC BOLT GR 5 PLTD
15	10-19974	1/2" X 1-3/4" NC BOLT GR 8 PLTD
16	10-19599	1/2" NC NYLON LOCKNUT GR 2 PLTD
17	10-21615	1-1/4" NF HEX NUT GR 5 PLAIN
18	10-19324	REGULAR TRUSS BRACKET
19	10-18032	TRUSS ATTACH ANGLE
20	10-19333	5/16" CABLE CLAMP
21	10-18034	CYLINDER ASSEMBLY
22	10-19542	7/16" X 1" NC BOLT GR 5 PLTD
23	10-19801	CLAMP, HALF
24	10-29307	SPOUT, 10 INCH ROLLED
25	10-18922	ROLLER TRACKSHOE
26	10-18745	TRACK STOP
27	10-18698	7/16" X 1-1/4" NC BOLT GR 8 PLTD
28	10-18917	TRACK STOP WASHER
29	10-21629	MKX/X100 HOPPER LIFT ARM
30	10-18074	MOUNT PIN
31	10-19463	SNAP PIN
32	10-21818	MKX/X10 LIFT ARM TRANSPORT HOOK ASSEMBLY
33	10-17182	7/16" TRACK WASHER
34	10-18947	1/2" X 4" NC BOLT GR 8 PLTD
35	10-17380	MKX1063 TRUSS CABLE
36	10-19331	EYE BOLT/NUT 1/2" X 5"
37	10-19546	7/16" X 3" NC BOLT GR 5 PLTD
38	10-19598	7/16" NC NYLON LOCKNUT GR 2 PLTD
39	10-21693	MKX1063/73 MIDDLE FLIGHT
40	10-19222	GREASE ZERK
41	10-28997	1/2" EYE HOIST W/ HOOK
42	10-20083	MID LINK
43	10-17376	MK LP HOPPER CABLE (NOT SHOWN)

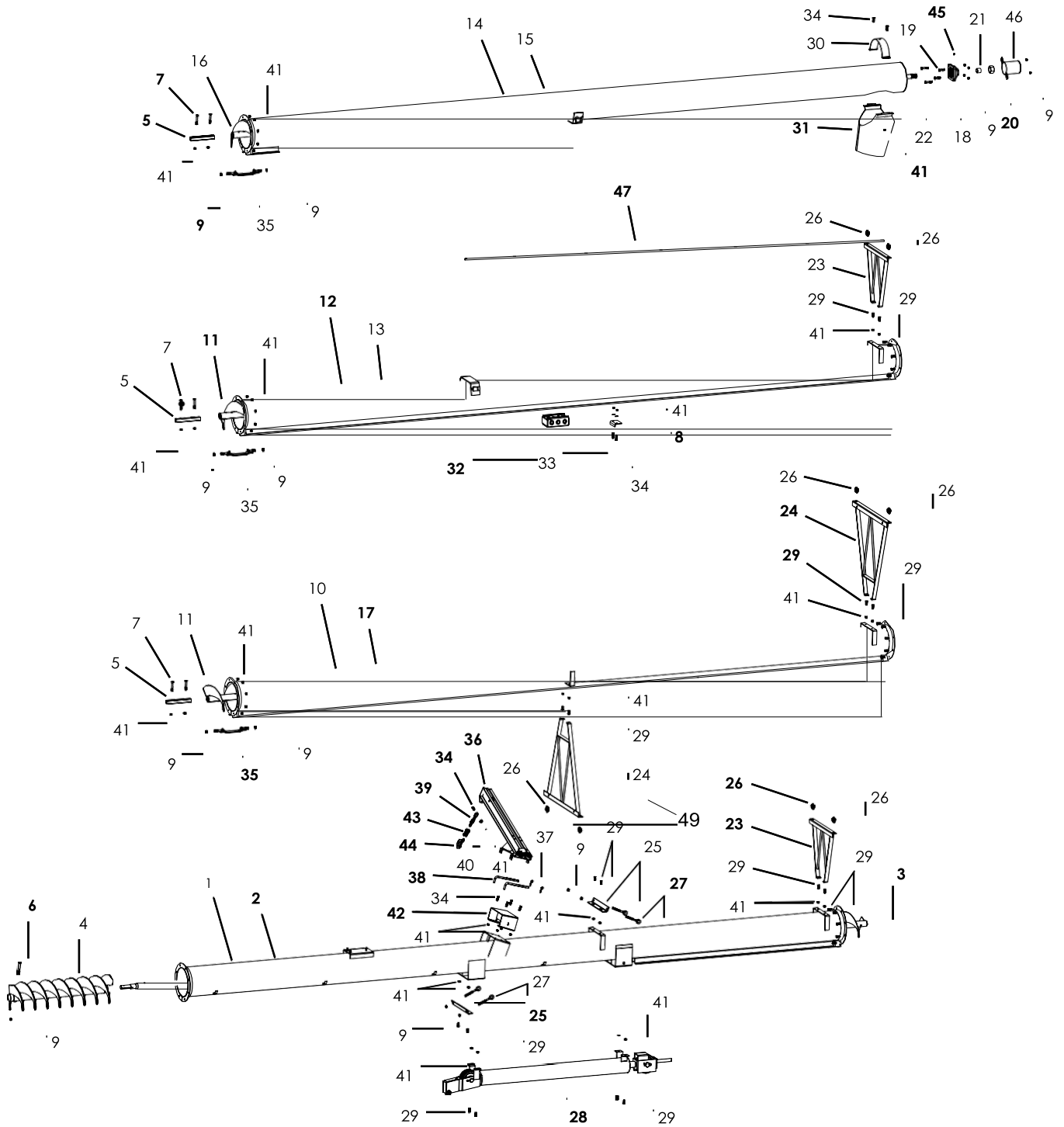
MKX100-73 TUBES & TRUSS COMPONENTS



MKX100-73 TUBES & TRUSS COMPONENTS

ITEM	PART NO.	DESCRIPTION
1	10-21709	MKX100-73 LOWER TUBE BUNDLE
2	10-21725	MKX100-73 LOWER TUBE ONLY
3	10-21694	MKX1073/83 LOWER FLIGHT
4	10-21708	MKX/X10 BOOT FLIGHT
5	10-21690	MKX/X10 FLIGHT CONNECTING SHAFT
6	10-21704	MKX100-63/73 MIDDLE TUBE BUNDLE
7	10-21703	MKX100-63/73 MIDDLE TUBE ONLY
8	10-21700	MKX100-53/63/73 UPPER TUBE BUNDLE
9	10-21724	MKX100-53/63/73 UPPER TUBE ONLY
10	10-21696	MKX100-53/63/73 UPPER FLIGHT
11	10-19567	BEARING, 1-1/4" PILLOW
12	10-21657	BUSHING, MKX/X10 THRUST ADJUSTER
13	10-27576	THRUST ADJUSTER COVER
14	10-27816	1/2" X 2" NC BOLT GR 5 PLTD
15	10-19974	1/2" X 1-3/4" NC BOLT GR 8 PLTD
16	10-19599	1/2" NC NYLON LOCKNUT GR 2 PLTD
17	10-21615	1-1/4" NF HEX NUT GR 5 PLAIN
18	10-19324	REGULAR TRUSS BRACKET
19	10-18032	TRUSS ATTACH ANGLE
20	10-19333	5/16" CABLE CLAMP
21	10-18035	CYLINDER ASSEMBLY
22	10-19542	7/16" X 1" NC BOLT GR 5 PLTD
23	10-19801	CLAMP, HALF
24	10-29307	SPOUT, 10 INCH ROLLED
25	10-18922	ROLLER TRACKSHOE
26	10-18745	TRACK STOP
27	10-18698	7/16" X 1-1/4" NC BOLT GR 8 PLTD
28	10-18917	TRACK STOP WASHER
29	10-21629	MKX/X100 HOPPER LIFT ARM
30	10-18074	MOUNT PIN
31	10-19463	SNAP PIN
32	10-21818	MKX/X10 LIFT ARM TRANSPORT HOOK ASSEMBLY
33	10-17182	7/16" TRACK WASHER
34	10-18947	1/2" X 4" NC BOLT GR 8 PLTD
35	4504071	SA1071 TRUSS CABLE
36	10-19331	EYE BOLT/NUT 1/2" X 5"
37	10-19546	7/16" X 3" NC BOLT GR 5 PLTD
38	10-19598	7/16" NC NYLON LOCKNUT GR 2 PLTD
39	10-21693	MKX1063/73 MIDDLE FLIGHT
40	10-19222	GREASE ZERK
41	10-28997	1/2" EYE HOIST W/ HOOK
42	10-20083	MID LINK
43	10-19325	TRUSS BRACKET
44	10-17376	MK LP HOPPER CABLE (NOT SHOWN)
45	10-18042	MKX1073 TRUSS CABLE

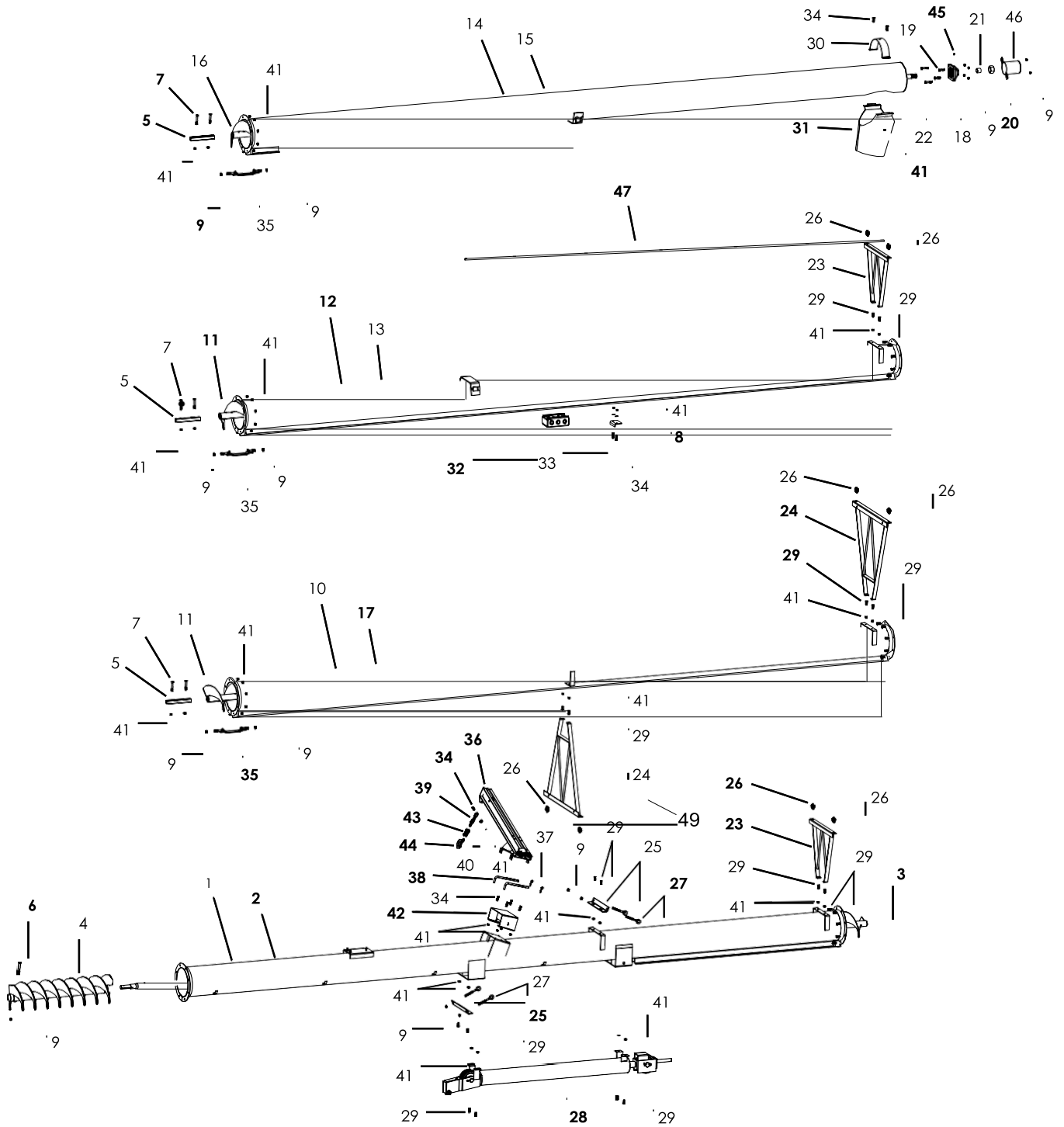
MKX100-83 TUBES & TRUSS COMPONENTS



MKX100-83 TUBES & TRUSS COMPONENTS

ITEM	PART NO.	DESCRIPTION
1	10-21710	MKX100-83 LOWER TUBE BUNDLE
2	10-21726	MKX100-83 LOWER TUBE ONLY
3	10-21694	MKX1073/83 LOWER FLIGHT
4	10-21708	MKX/X10 BOOT FLIGHT
5	10-21690	MKX/X10 FLIGHT CONNECTING SHAFT
6	10-18947	1/2" X 4" NC BOLT GR 8 PLTD
7	10-19546	7/16" X 3" NC BOLT GR 5 PLTD
8	10-18917	TRACK STOP WASHER
9	10-19599	1/2" NC NYLON LOCKNUT GR 2 PLTD
10	10-21713	MKX100-83 LOWER MIDDLE TUBE BUNDLE
11	10-21695	MKX1083 MIDDLE FLIGHT
12	10-21712	MKX100-83 UPPER MIDDLE TUBE BUNDLE
13	10-21727	MKX100-83 UPPER MIDDLE TUBE ONLY
14	10-21706	MKX100-83 UPPER TUBE BUNDLE
15	10-21705	MKX100-83 UPPER TUBE ONLY
16	10-21697	MKX100-83 UPPER FLIGHT
17	10-27497	LOWER MIDDLE TUBE ONLY
18	10-19567	BEARING, 1-1/4" PILLOW
19	10-19974	1/2" X 1-3/4" NC BOLT GR 8 PLTD
20	10-21615	1-1/4" NF HEX NUT GR 5 PLAIN
21	10-21657	BUSHING, MKX/X10 THRUST ADJUSTER
22	10-27816	1/2" X 2" NC BOLT GR 5 PLTD
23	10-19324	REGULAR TRUSS BRACKET
24	10-19325	TRUSS BRACKET
25	10-18032	TRUSS ATTACH ANGLE
26	10-18990	3/8" CABLE CLAMP
27	10-19331	EYE BOLT/NUT 1/2" X 5"
28	10-27506	CYLINDER ASSEMBLY
29	10-19542	7/16" X 1" NC BOLT GR 5 PLTD
30	10-19801	CLAMP, HALF
31	10-29307	SPOUT, 10 INCH ROLLED
32	10-18922	ROLLER TRACKSHOE
33	10-18745	TRACK STOP
34	10-18698	7/16" X 1-1/4" NC BOLT GR 8 PLTD
35	10-27487	ANGLE RING SUPPORT
36	10-21629	MKX/X100 HOPPER LIFT ARM
37	10-19463	SNAP PIN
38	10-18074	MOUNT PIN
39	10-21818	MKX/X10 LIFT ARM TRANSPORT HOOK ASSEMBLY
40	10-17182	7/16" TRACK WASHER
41	10-19598	7/16" NC NYLON LOCKNUT GR 2 PLTD
42	10-21800	MKX/X100-83 LIFT ARM EXTENSION
43	10-20083	5/16" MIDLINK
44	10-28997	1/2T EYE HOIST HOOK PAINTED W/LATCH
45	10-19222	GREASE ZERK
46	10-27576	THRUST ADJUSTER COVER
47	10-21808	MKX/X1083 TRUSS CABLE
48	10-17376	MK LP HOPPER CABLE (NOT SHOWN)
49	10-27502	MK81 UNDERTRUSS CABLE
50	10-28584	5/16" X 2-1/2" ROLL PIN (NOT SHOWN)

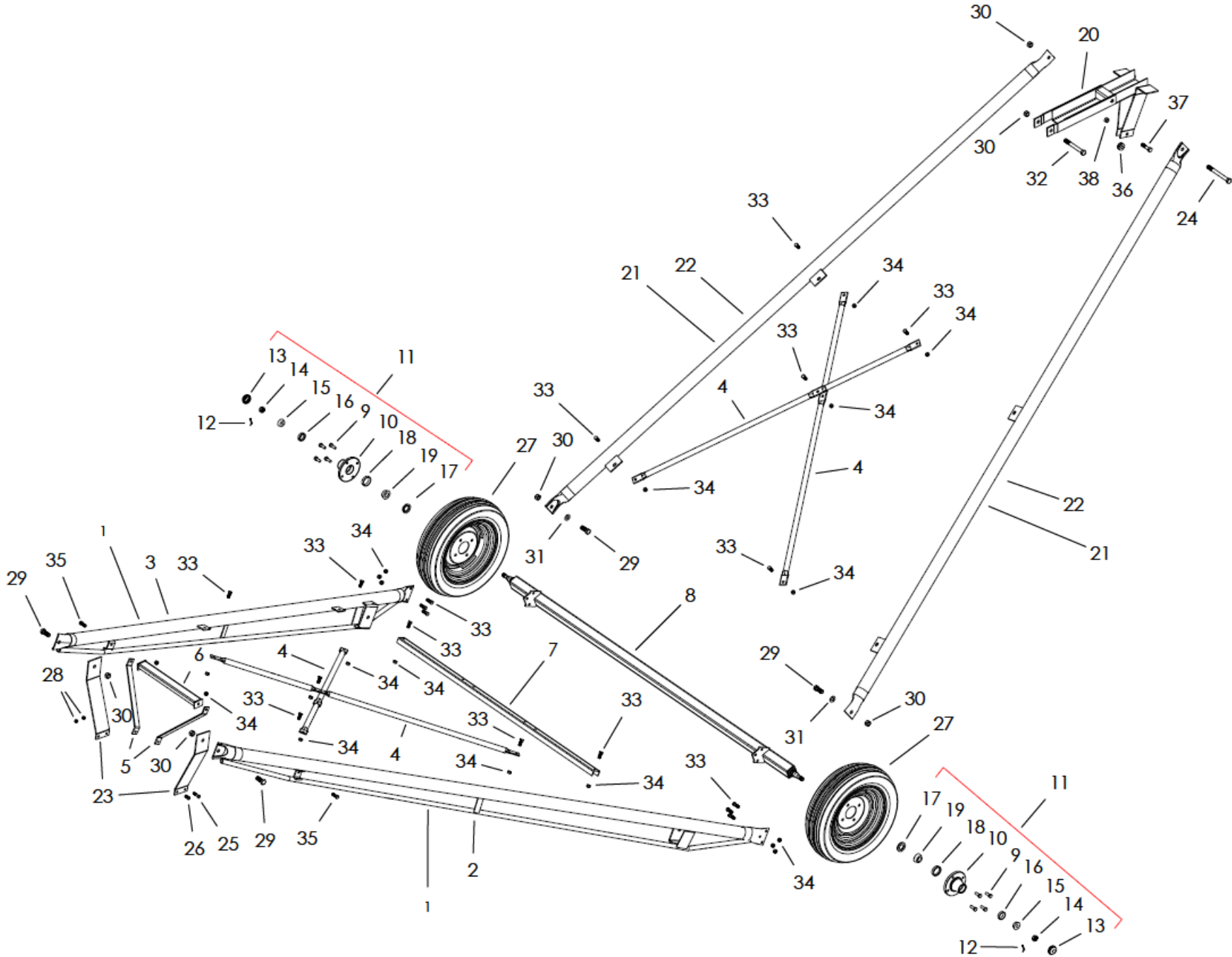
MKX100-83 TUBES & TRUSS COMPONENTS



MKX100-83 TUBES & TRUSS COMPONENTS

ITEM	PART NO.	DESCRIPTION
51	10-27486	MK100-81 CYLINDER RAM GUIDE (NOT SHOWN)

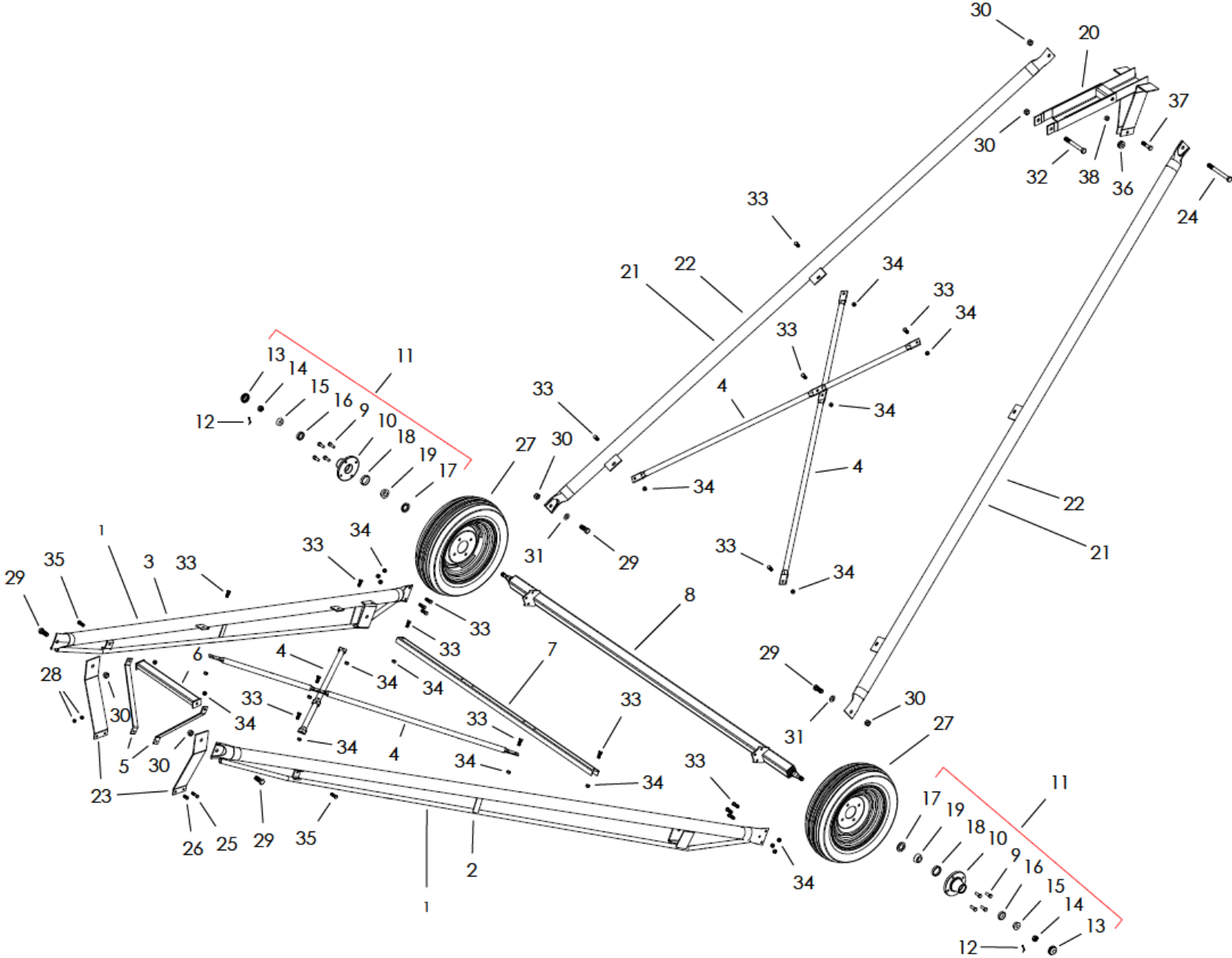
MKX100-53 FRAME COMPONENTS



MKX100-53 FRAME COMPONENTS

ITEM	PART NO.	DESCRIPTION
1	10-19791	MKX1053 LOWER FRAME BUNDLE
2	10-19790	LOWER FRAME TUBE, RH
3	10-19789	LOWER FRAME TUBE, LH
4	10-19796	FRAME BRACE
5	10-18908	STABILIZER BRACE
6	10-18914	SHORT CROSSMEMBER
7	10-19376	CROSSMEMBER
8	10-18090	AXLE
9	10-19273	1/2" X 1-3/4" NF #5 WHEEL BOLT
10	10-19267	HUB
11	10-19467	HUB ASSEMBLY
12	10-19271	1/8" X 1-1/2" COTTER PIN
13	10-19272	DUST CAP
14	10-19270	3/4" NF SLOTTED NUT PLAIN
15	10-19269	BEARING CONE
16	10-19268	CUP
17	10-19264	HUB SEAL
18	10-19266	CUP
19	10-19265	CONE BEARING
20	10-18930	LIFT ASSIST
21	10-21869	MKX1053 UPPER FRAME BUNDLE
22	10-19792	FRAME TUBE, MKX53
23	10-18909	STABILIZER BRACKET
24	10-18094	3/4" X 7-1/2" NC BOLT GR 8 PLTD
25	10-19981	7/16" X 1-3/4" NC BOLT GR 8 PLTD
26	10-19542	7/16" X 1" NC BOLT GR 5 PLTD
27	10-21330	15 X 4.5 X 4 BOLT WHEEL ASSEMBLY
28	10-19598	7/16" NC NYLON LOCKNUT GR 2 PLTD
29	10-19592	3/4" X 2" NC BOLT GR 8 PLTD
30	10-19601	3/4" NC NYLON LOCKNUT PLTD
31	10-19979	3/4" FLAT WASHER PLTD
32	10-19593	3/4" X 6-1/2" NC BOLT GR 8 PLTD
33	10-19588	1/2" X 1-1/4" NC BOLT GR 5 PLTD
34	10-19599	1/2" NC NYLON LOCKNUT GR 2 PLTD
35	10-19589	1/2" X 1-1/2" NC BOLT GR 8 PLTD
36	10-23079	CABLE THIMBLE PULLEY
37	10-29251	BOLT, 5/8" x 2-3/4" GR8 PLTD
38	10-19600	LOCKNUT, 5/8"

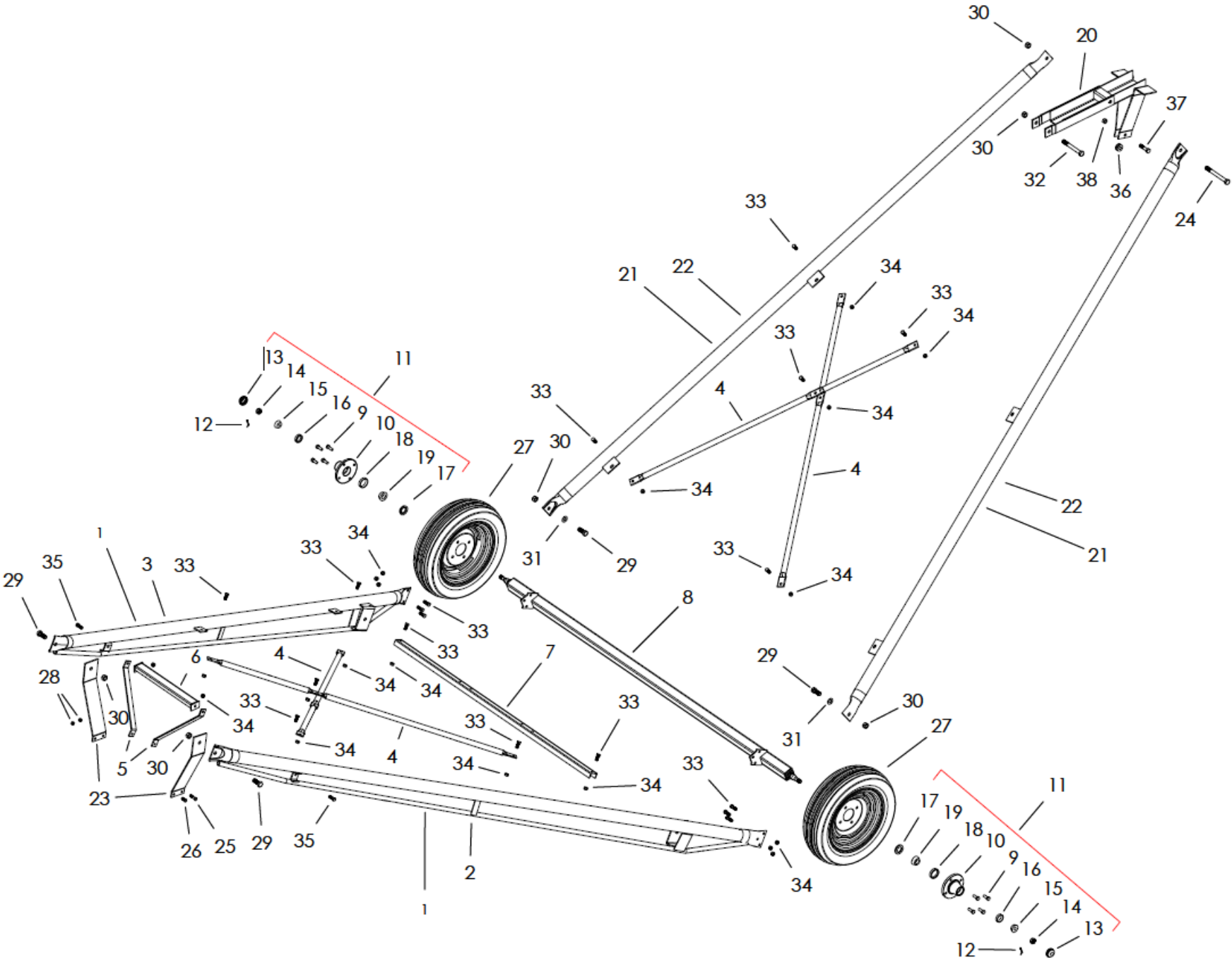
MKX100-63 FRAME COMPONENTS



MKX100-63 FRAME COMPONENTS

ITEM	PART NO.	DESCRIPTION
1	10-19369	MKX63 LOWER FRAME BUNDLE
2	10-19359	LOWER FRAME TUBE, RH
3	10-19358	LOWER FRAME TUBE, LH
4	10-19796	FRAME BRACE
5	10-18916	STABILIZER BRACE
6	10-18914	SHORT CROSSMEMBER
7	10-19378	CROSSMEMBER
8	10-19342	AXLE
9	10-19273	1/2" X 1-3/4" NF #5 WHEEL BOLT
10	10-19267	HUB
11	10-19467	HUB ASSEMBLY
12	10-19271	1/8" X 1-1/2" COTTER PIN
13	10-19272	DUST CAP
14	10-19270	3/4" NF SLOTTED NUT PLAIN
15	10-19269	BEARING CONE
16	10-19268	CUP
17	10-19264	HUB SEAL
18	10-19266	CUP
19	10-19265	CONE BEARING
20	10-18930	LIFT ASSIST
21	10-19534	MKX63 UPPER FRAME BUNDLE
22	10-19524	MKX63 UPPER LIFT ARM
23	10-18909	STABILIZER BRACKET
24	10-18094	3/4" X 7-1/2" NC BOLT GR 8 PLTD
25	10-19981	7/16" X 1-3/4" NC BOLT GR 8 PLTD
26	10-19542	7/16" X 1" NC BOLT GR 5 PLTD
27	10-21330	15 X 4.5 X 4 BOLT WHEEL ASSEMBLY
28	10-19598	7/16" NC NYLON LOCKNUT GR 2 PLTD
29	10-19592	3/4" X 2" NC BOLT GR 8 PLTD
30	10-19601	3/4" NC NYLON LOCKNUT PLTD
31	10-19979	3/4" FLAT WASHER PLTD
32	10-19593	3/4" X 6-1/2" NC BOLT GR 8 PLTD
33	10-19588	1/2" X 1-1/4" NC BOLT GR 5 PLTD
34	10-19599	1/2" NC NYLON LOCKNUT GR 2 PLTD
35	10-19589	1/2" X 1-1/2" NC BOLT GR 8 PLTD
36	10-23079	CABLE THIMBLE PULLEY
37	10-29251	BOLT, 5/8" x 2-3/4" GR8 PLTD
38	10-19600	LOCKNUT, 5/8"

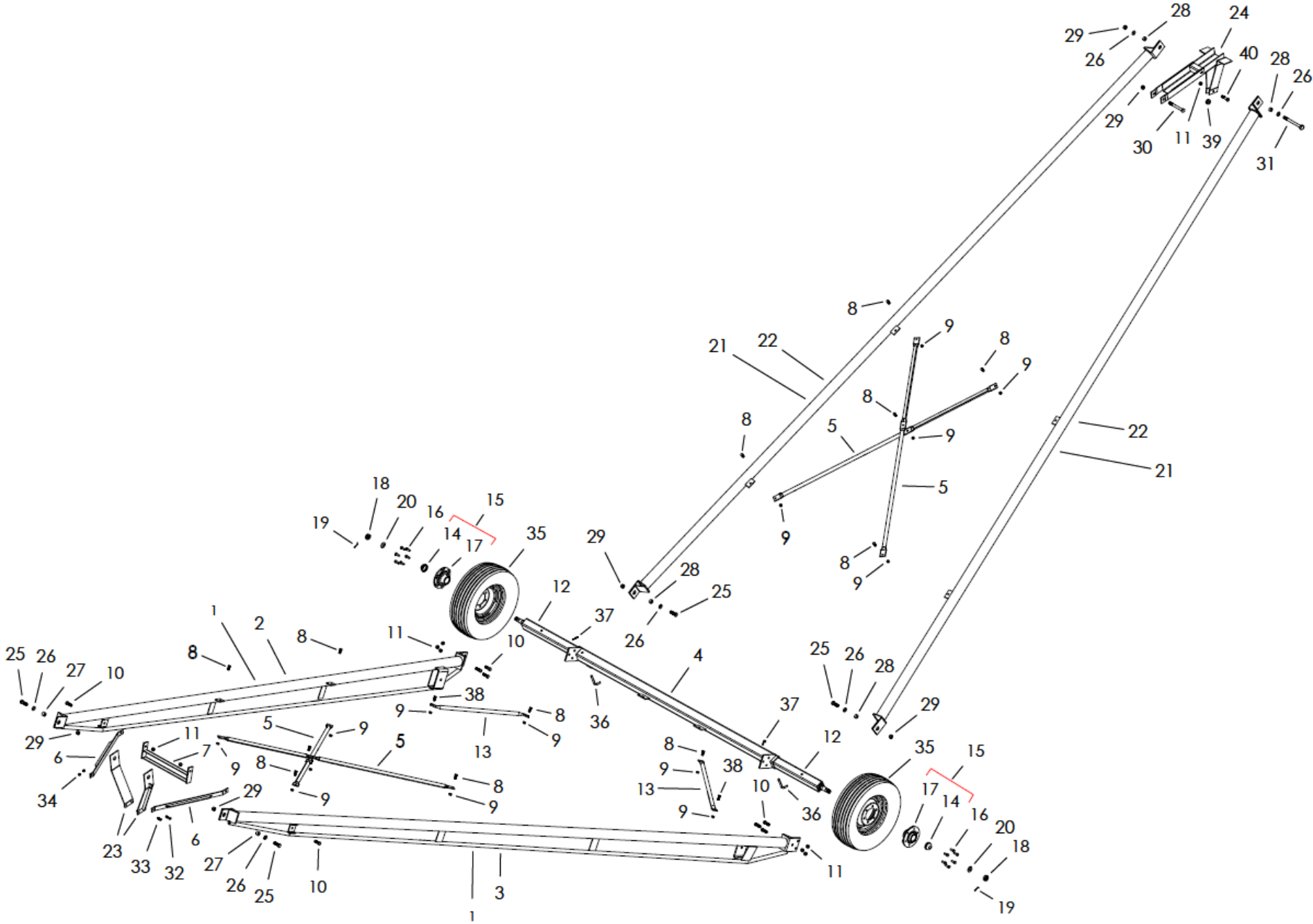
MKX100-73 FRAME COMPONENTS



MKX100-73 FRAME COMPONENTS

ITEM	PART NO.	DESCRIPTION
1	10-19370	MKX73 LOWER FRAME BUNDLE
2	10-19361	MKX73 LOWER FRAME TUBE, RH
3	10-19360	MKX73 LOWER FRAME TUBE, LH
4	10-19796	FRAME BRACE
5	10-18915	STABILIZER BRACE
6	10-18914	SHORT CROSSMEMBER
7	10-19379	CROSSMEMBER
8	10-19343	AXLE
9	10-19273	1/2" X 1-3/4" NF #5 WHEEL BOLT
10	10-19267	HUB
11	10-19467	HUB ASSEMBLY
12	10-19271	1/8" X 1-1/2" COTTER PIN
13	10-19272	DUST CAP
14	10-19270	3/4" NF SLOTTED NUT PLAIN
15	10-19269	BEARING CONE
16	10-19268	CUP
17	10-19264	HUB SEAL
18	10-19266	CUP
19	10-19265	CONE BEARING
20	10-18930	LIFT ASSIST
21	10-19535	MKX73 UPPER FRAME BUNDLE
22	10-19525	MKX73 UPPER LIFT ARM
23	10-18909	STABILIZER BRACKET
24	10-18094	3/4" X 7-1/2" NC BOLT GR 8 PLTD
25	10-19981	7/16" X 1-3/4" NC BOLT GR 8 PLTD
26	10-19542	7/16" X 1" NC BOLT GR 5 PLTD
27	10-21330	15 X 4.5 X 4 BOLT WHEEL ASSEMBLY
28	10-19598	7/16" NC NYLON LOCKNUT GR 2 PLTD
29	10-19592	3/4" X 2" NC BOLT GR 8 PLTD
30	10-19601	3/4" NC NYLON LOCKNUT PLTD
31	10-19979	3/4" FLAT WASHER PLTD
32	10-19593	3/4" X 6-1/2" NC BOLT GR 8 PLTD
33	10-19588	1/2" X 1-1/4" NC BOLT GR 5 PLTD
34	10-19599	1/2" NC NYLON LOCKNUT GR 2 PLTD
35	10-19589	1/2" X 1-1/2" NC BOLT GR 8 PLTD
36	10-23079	CABLE THIMBLE PULLEY
37	10-29251	BOLT, 5/8" x 2-3/4" GR8 PLTD
38	10-19600	LOCKNUT, 5/8"

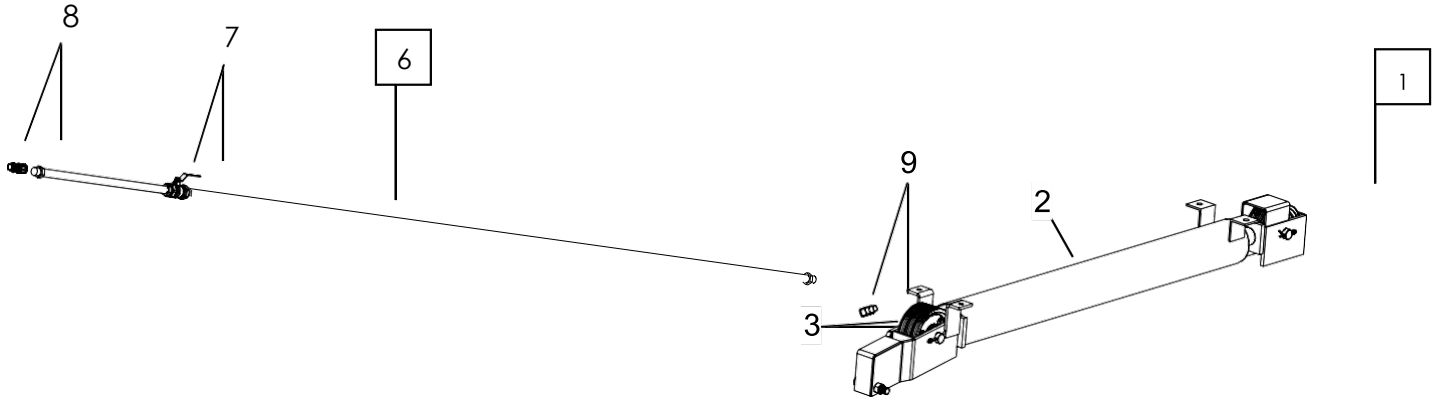
MKX100-83 FRAME COMPONENTS



MKX100-83 FRAME COMPONENTS

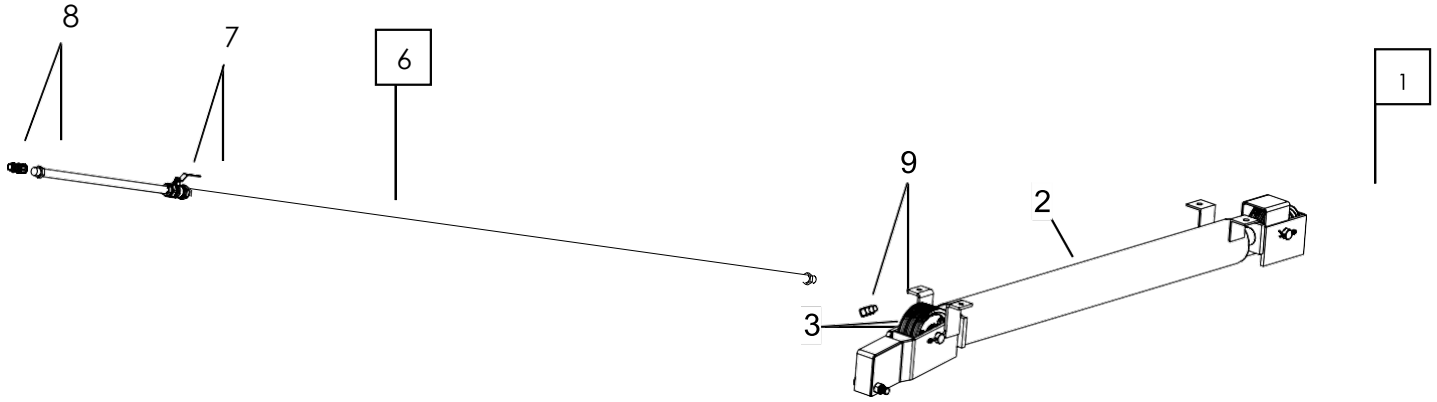
ITEM	PART NO.	DESCRIPTION
1	10-27514	MKX1083 LOWER FRAME BUNDLE
2	10-27492	MKX1083 LOWER REACH ARM, LH
3	10-27491	MKX1083 LOWER REACH ARM, RH
4	10-27489	AXLE BASE
5	10-27500	FRAME CROSS BRACE
6	10-27504	FRAME STABILIZER BRACE
7	10-27493	CROSSMEMBER, SHORT
8	10-19588	1/2" X 1-1/4" NC BOLT GR 5 PLTD
9	10-19599	1/2" NC NYLON LOCKNUT GR 2 PLTD
10	10-19991	5/8" X 2" NC BOLT GR 8 PLTD
11	10-19600	5/8" NC NYLON LOCKNUT PLTD
12	10-27490	AXLE EXTENSION
13	10-17463	CORNER BRACE
14	10-17012	DUST CAP
15	10-17013	HUB ASSEMBLY
16	10-19273	1/2" X 1-3/4" NF #5 WHEEL BOLT
17	10-17009	HUB, 6-BOLT
18	10-17011	NUT, 1" SLOTTED
19	10-19271	1/8" X 1-1/2" COTTER PIN
20	10-17010	WASHER, HUB
21	10-27515	MKX1083 UPPER FRAME BUNDLE
22	10-27499	UPPER REACH ARM
23	10-27494	FRAME STABILIZER
24	10-18930	LIFT ASSIST
25	10-29254	3/4" X 2-1/4" NC BOLT GR 8 PLTD
26	10-19979	3/4" FLAT WASHER PLTD
27	10-27507	BUSHING, LOWER REACH ARM
28	10-27508	BUSHING, UPPER ARM
29	10-19601	3/4" NC NYLON LOCKNUT PLTD
30	10-19593	3/4" X 6-1/2" NC BOLT GR 8 PLTD
31	10-27482	3/4" X 8-1/2" NC BOLT GR 8 PLTD
32	10-19981	7/16" X 1-3/4" NC BOLT GR 8 PLTD
33	10-18698	7/16" X 1-1/4" NC BOLT GR 8 PLTD
34	10-19598	7/16" NC NYLON LOCKNUT GR 2 PLTD
35	10-29015	16 X 6 X 6 BOLT WHEEL ASSEMBLY
36	10-19648	SADDLE PIN
37	10-19463	HAIRPIN
38	10-19589	1/2" X 1-1/2" BOLT GR8 PLTD
39	10-23079	CABLE THIMBLE PULLEY
40	10-29251	BOLT, 5/8" x 2-3/4" GR8 PLTD

MKX100-53 HYDRAULIC HOSE COMPONENTS



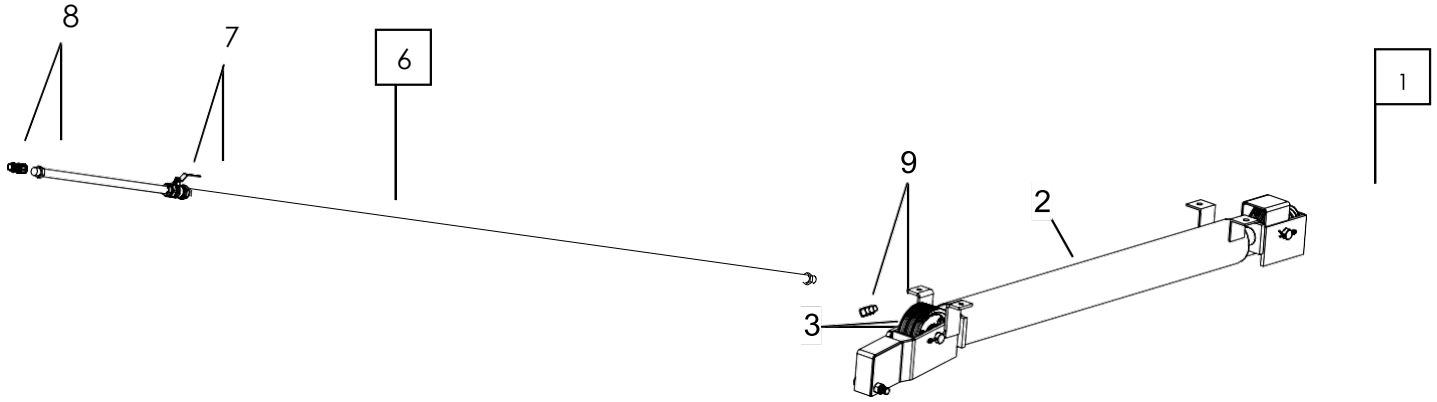
ITEM	PART NO.	DESCRIPTION
1	10-18033	Hydraulic Cylinder Assembly
2	10-19915	Hydraulic Cylinder Only
3	10-19918	Pulley, 5-1/2" Dia. W/Bushing
6	10-21608	Cylinder Hose Assembly
7	10-18084	Ball valve
8	9900047	Pioneer Coupler
9	10-18087	3/8" STREET ELBOW, 90°

MKX100-63 HYDRAULIC HOSE COMPONENTS



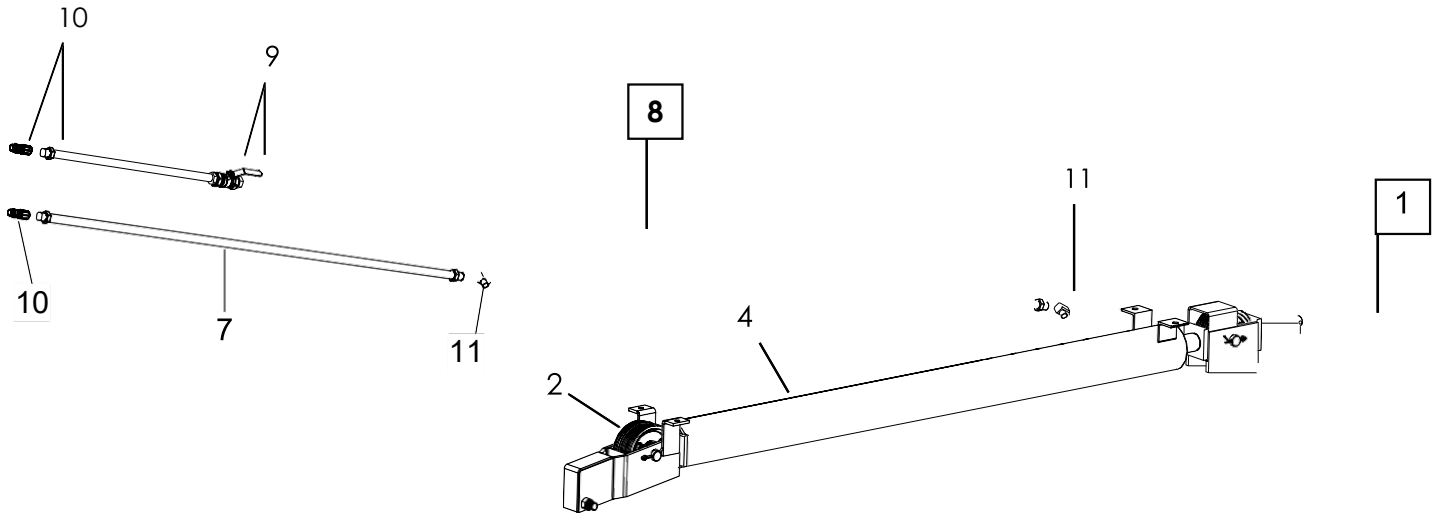
ITEM	PART NO.	DESCRIPTION
1	10-18034	Hydraulic Cylinder Assembly
2	10-19916	Hydraulic Cylinder Only
3	10-19918	Pulley, 5-1/2" Dia. W/Bushing
6	10-20318	Cylinder Hose Assembly
7	10-18084	Ball valve
8	9900047	Pioneer Coupler
9	10-18087	3/8" STREET ELBOW, 90°

MKX100-73 HYDRAULIC HOSE COMPONENTS



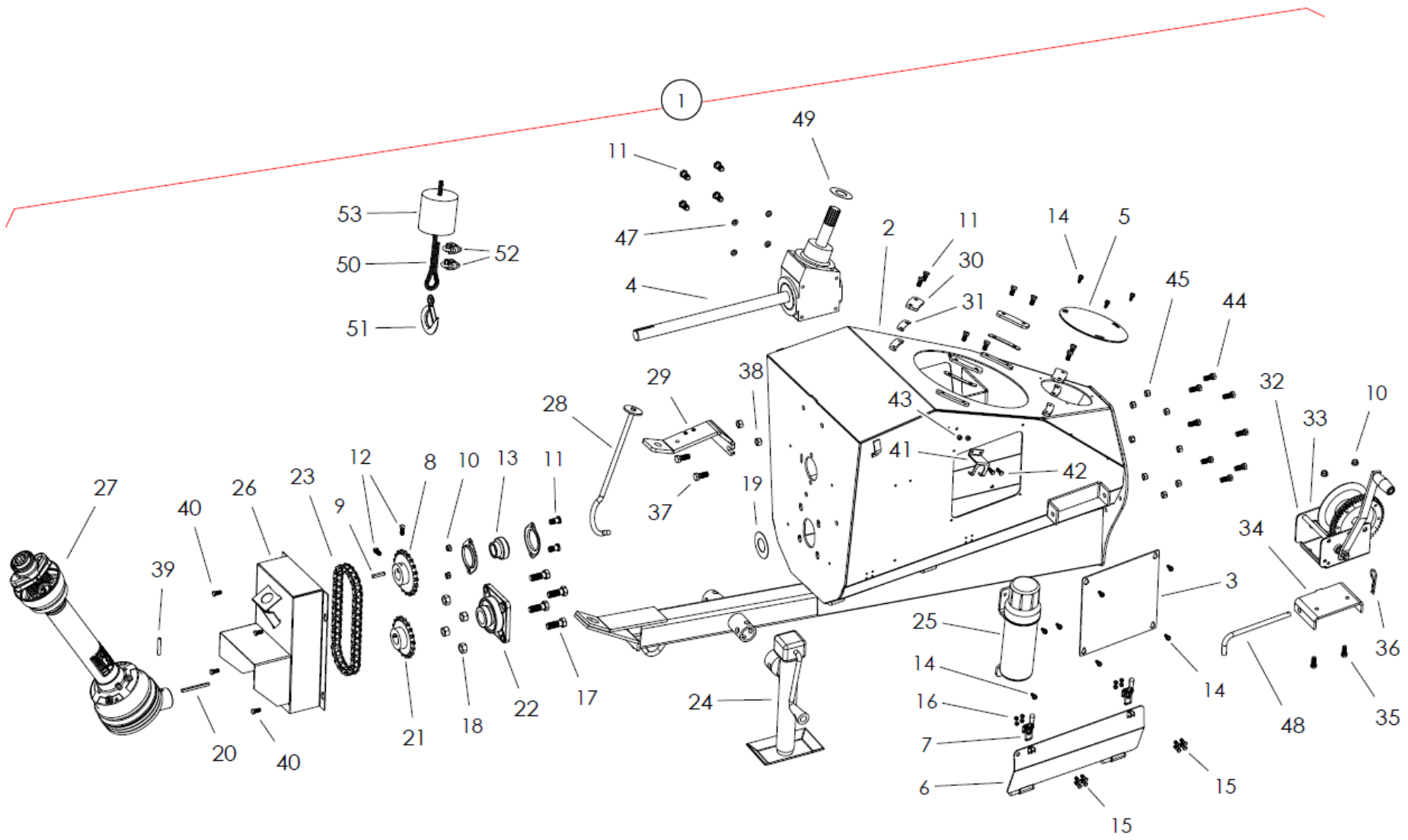
ITEM	PART NO.	DESCRIPTION
1	10-18035	Hydraulic Cylinder Assembly
2	10-19917	Hydraulic Cylinder Only
3	10-19918	Pulley, 5-1/2" Dia. W/Bushing
6	10-20320	Cylinder Hose Assembly
7	10-18084	Ball valve
8	9900047	Pioneer Coupler
9	10-18087	3/8" STREET ELBOW, 90°

MKX100-83 HYDRAULIC HOSE COMPONENTS



ITEM	PART NO.	DESCRIPTION
1	10-27506	Hydraulic Cylinder Assembly
2	10-17640	Pulley 6.5"
4	10-27505	Hydraulic Cylinder Only
7	10-27480	Hydraulic Feed Hose
8	10-20320	Cylinder Hose Assembly
9	10-18084	Ball Valve
10	9900047	Pioneer Coupler
11	10-18087	3/8" Street Elbow, 90°

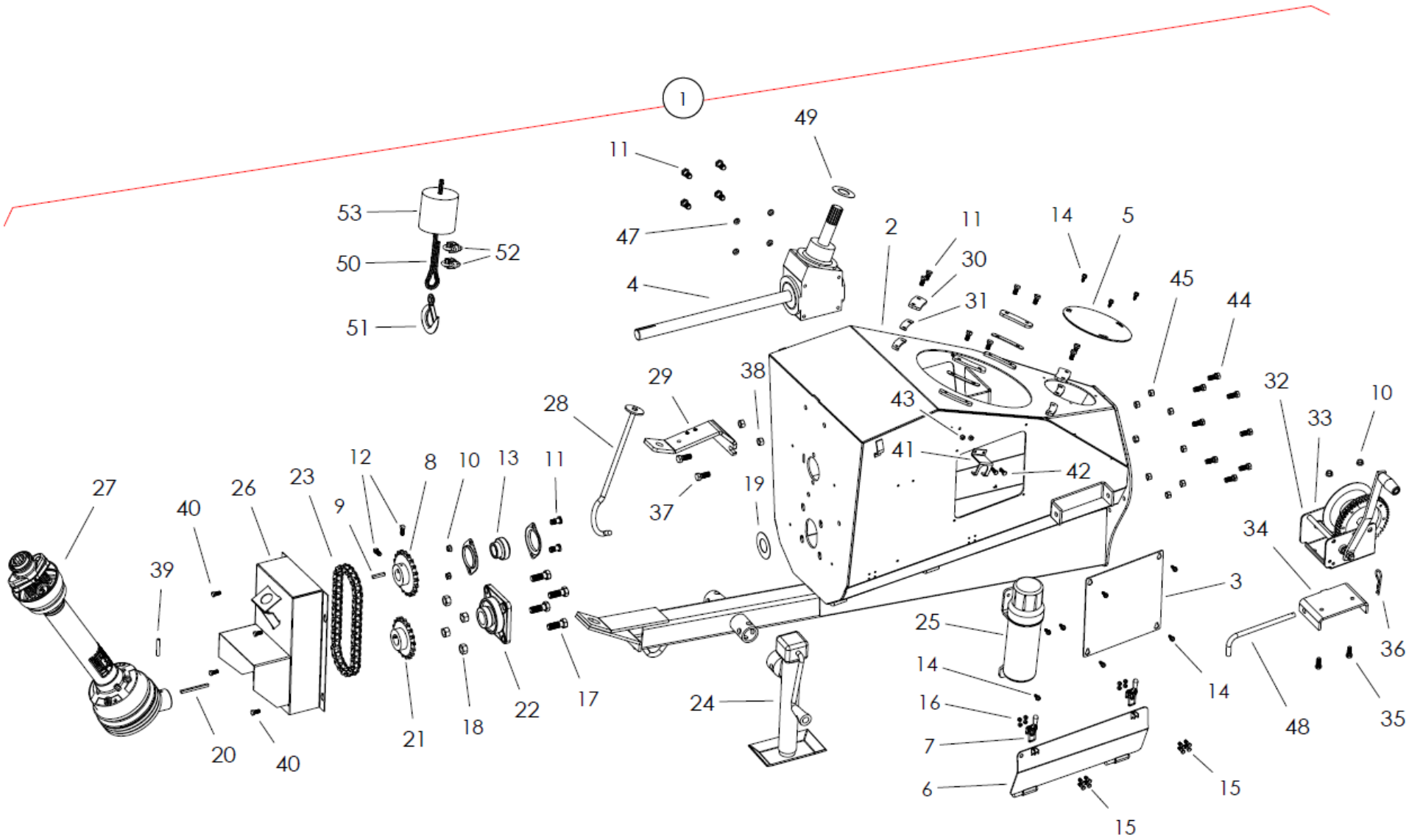
BOOT (MKX100-53, 63 & 73)



BOOT (MKX100-53, 63 & 73)

ITEM	PART NO.	DESCRIPTION
1	10-21632	MKX/X10 GEAR BOOT ASSEMBLY
2	10-21633	MKX/X10 GEAR BOOT ONLY
3	10-20061	BOOT SERVICE DOOR
4	10-21549	GEARBOX
5	10-17374	ACCESS COVER
6	10-21634	MKX/X10 CLEANOUT DOOR
7	10-20052	LATCH AND CATCH
8	10-18713	60B20 X 1-1/4 SPROCKET
9	10-19606	1/4" X 1-1/2" SQUARE KEY
10	10-19596	3/8" NC SERRATED FLANGE NUT PLTD
11	10-19540	3/8" X 3/4" NC BOLT GR 5 PLTD
12	10-29118	SETSCREW, 3/8" X 3/4" GR 8 SQ END
13	10-19322	1-1/4 2 HOLE FLANGE BEARING
14	10-19274	SELF TAPPING SCREW
15	10-20335	#8 X 3/4" BOLT PLTD
16	10-20336	#8 LOCKNUT PLTD
17	10-18544	5/8" X 1-3/4" NC BOLT GR 5 PLTD
18	10-19600	5/8" NC NYLON LOCKNUT PLTD
19	10-21707	RIM WASHER, 1-1/2"
20	10-21758	1/4" X 3-3/8" SQUARE KEY
21	10-21567	60B18 X 1-1/4 SPROCKET
22	10-17292	1-1/2" PILLOW BLOCK BEARING
23	10-18726	CHAIN
24	10-18080	JACK
25	10-29755	WATERPROOF PLASTIC MANUAL HOLDER
26	10-21635	MKX/X10 SPROCKET COVER
27	10-18484	BLUE END CV PTO SHAFT
28	10-18754	TRANSPORT SADDLE
29	10-20042	PTO BRACKET
30	10-29166	SPOUT HEAD RETAINER
31	10-29152	LRG BOOT RETAINER SPACER
32	10-22104	WINCH MOUNT ASSEMBLY
33	10-19151	WINCH & HANDLE
34	10-22052	WINCH BRACKET
35	10-18955	3/8" X 1" NC BOLT GR 5 PLTD
36	10-19463	SNAP PIN
37	10-19588	1/2" X 1-1/4" NC BOLT GR 5 PLTD
38	10-19599	1/2" NC NYLON LOCKNUT GR 2 PLTD
39	10-18079	5/16" X 2" ROLL PIN
40	10-19538	5/16" X 3/4" NC BOLT GR 2 PLTD
41	10-21932	SHUT OFF VALVE HOLDER
42	9900800	1/4" X 3/4" NC BOLT GR 5 PLTD
43	10-28449	1/4" NC NYLON LOCKNUT PLTD
44	10-19542	7/16" X 1" NC BOLT GR 5 PLTD
45	10-19598	7/16" NC NYLON LOCKNUT GR 2 PLTD
47	10-19604	3/8" LOCK WASHER PLTD
48	10-18074	MOUNT PIN
49	10-17370	1-1/4" WIDE RIM WASHER
50	10-17376	LP HOPPER CABLE
51	10-28997	1/2T EYE HOIST HOOK W/ LATCH

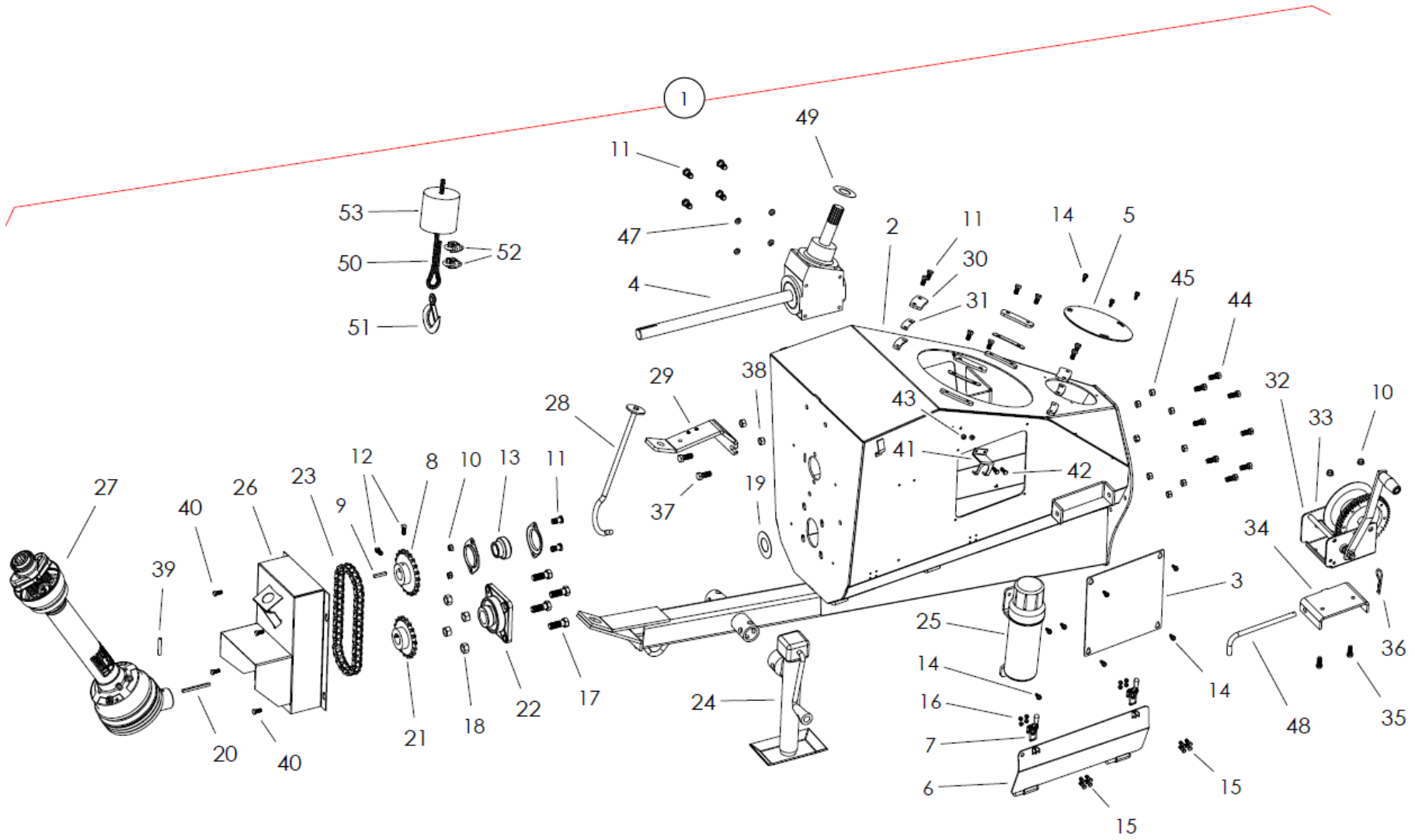
BOOT (MKX100-53, 63 & 73)



BOOT (MKX100-53, 63 & 73)

ITEM	PART NO.	DESCRIPTION
52	10-19147	1/4" CABLE CLAMP
53	10-20793	HOPPER WEIGHT

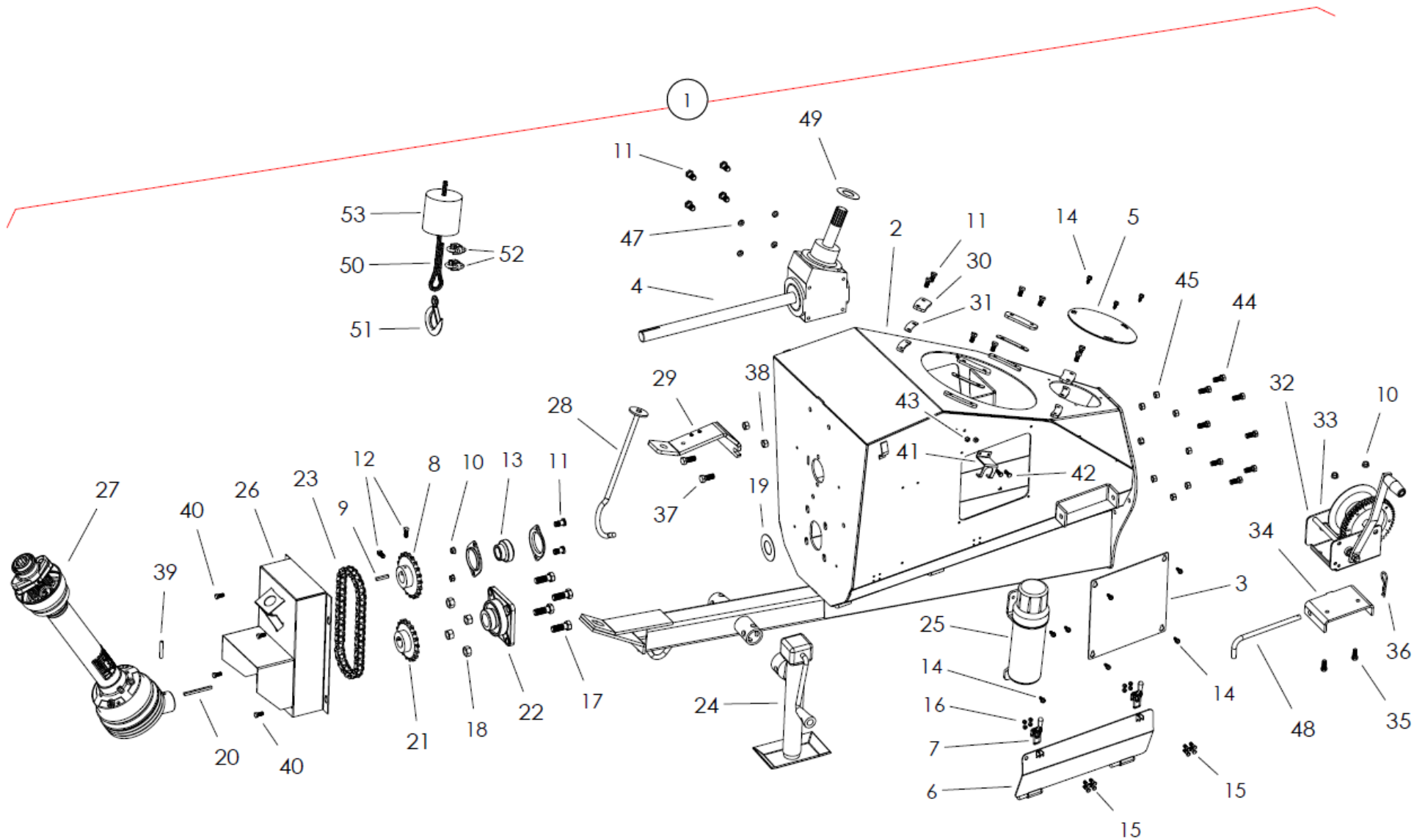
BOOT (MKX100-83)



BOOT (MKX100-83)

ITEM	PART NO.	DESCRIPTION
1	10-21632	MKX/X10 GEAR BOOT ASSEMBLY
2	10-21633	MKX/X10 GEAR BOOT ONLY
3	10-20061	BOOT SERVICE DOOR
4	10-21549	GEARBOX
5	10-17374	ACCESS COVER
6	10-21634	MKX/X10 CLEANOUT DOOR
7	10-20052	LATCH AND CATCH
8	10-18713	60B20 X 1-1/4 SPROCKET
9	10-19606	1/4" X 1-1/2" SQUARE KEY
10	10-19596	3/8" NC SERRATED FLANGE NUT PLTD
11	10-19540	3/8" X 3/4" NC BOLT GR 5 PLTD
12	10-29118	SETSCREW, 3/8" X 3/4" GR 8 SQ END
13	10-19322	1-1/4 2 HOLE FLANGE BEARING
14	10-19274	SELF TAPPING SCREW
15	10-20335	#8 X 3/4" BOLT PLTD
16	10-20336	#8 LOCKNUT PLTD
17	10-18544	5/8" X 1-3/4" NC BOLT GR 5 PLTD
18	10-19600	5/8" NC NYLON LOCKNUT PLTD
19	10-21707	RIM WASHER, 1-1/2"
20	10-21758	1/4" X 3-3/8" SQUARE KEY
21	10-21567	60B18 X 1-1/4 SPROCKET
22	10-17292	1-1/2" PILLOW BLOCK BEARING
23	10-18726	CHAIN
24	10-18080	JACK
25	10-29755	WATERPROOF PLASTIC MANUAL HOLDER
26	10-21635	MKX/X10 SPROCKET COVER
27	10-27481	CV PTO SHAFT (WHITE)
28	10-18754	TRANSPORT SADDLE
29	10-20042	PTO BRACKET
30	10-29166	SPOUT HEAD RETAINER
31	10-29152	LRG BOOT RETAINER SPACER
32	10-22104	WINCH MOUNT ASSEMBLY
33	10-19151	WINCH & HANDLE
34	10-22052	WINCH BRACKET
35	10-18955	3/8" X 1" NC BOLT GR 5 PLTD
36	10-19463	SNAP PIN
37	10-19588	1/2" X 1-1/4" NC BOLT GR 5 PLTD
38	10-19599	1/2" NC NYLON LOCKNUT GR 2 PLTD
39	10-18079	5/16" X 2" ROLL PIN
40	10-19538	5/16" X 3/4" NC BOLT GR 2 PLTD
41	10-21932	SHUT OFF VALVE HOLDER
42	9900800	1/4" X 3/4" NC BOLT GR 5 PLTD
43	10-28449	1/4" NC NYLON LOCKNUT PLTD
44	10-19542	7/16" X 1" NC BOLT GR 5 PLTD
45	10-19598	7/16" NC NYLON LOCKNUT GR 2 PLTD
47	10-19604	3/8" LOCK WASHER PLTD
48	10-18074	MOUNT PIN
49	10-17370	1-1/4" WIDE RIM WASHER
50	10-17376	LP HOPPER CABLE
51	10-28997	1/2T EYE HOIST HOOK W/ LATCH

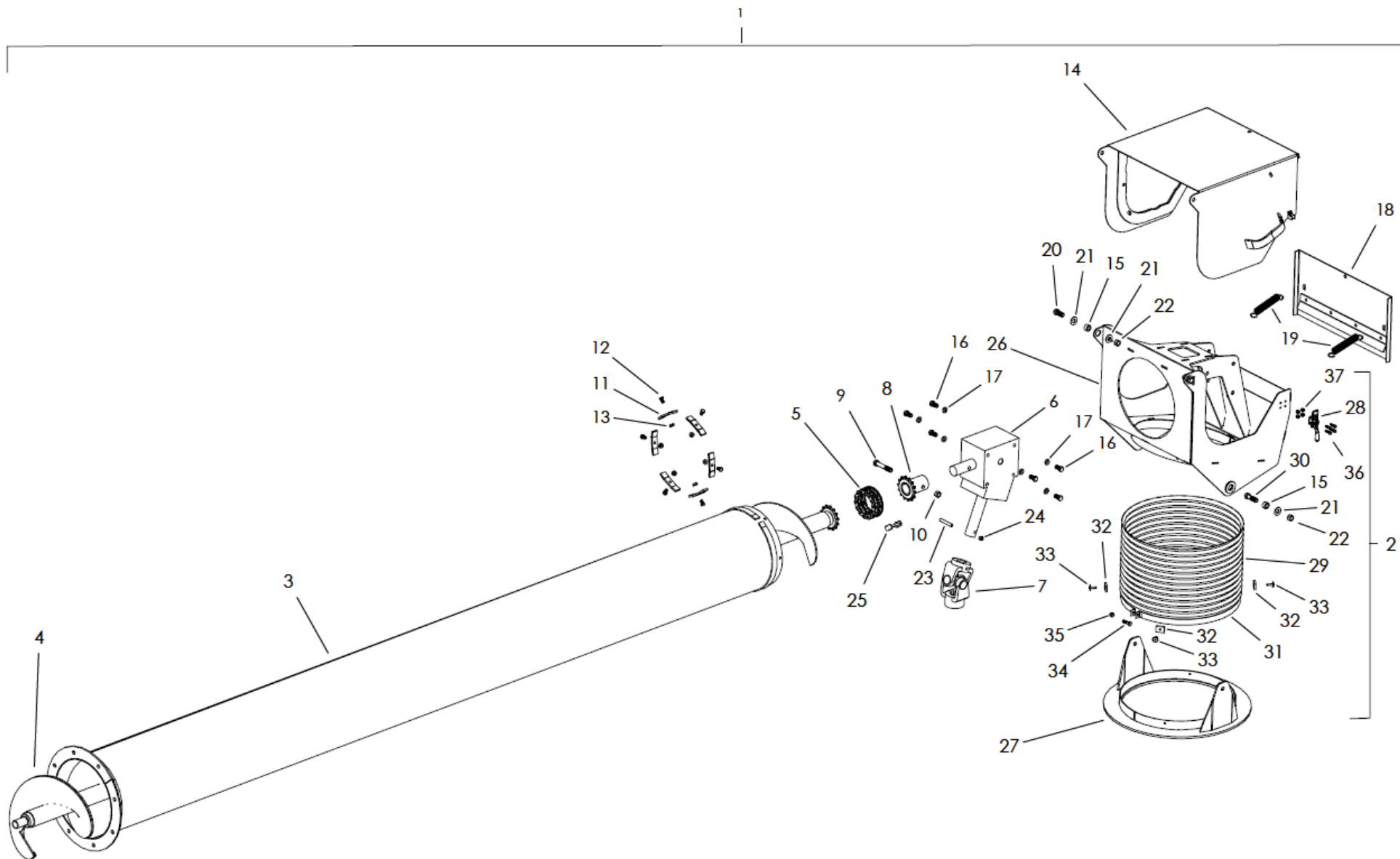
BOOT (MKX100-83)



BOOT (MKX100-83)

ITEM	PART NO.	DESCRIPTION
52	10-19147	1/4" CABLE CLAMP
53	10-20793	HOPPER WEIGHT

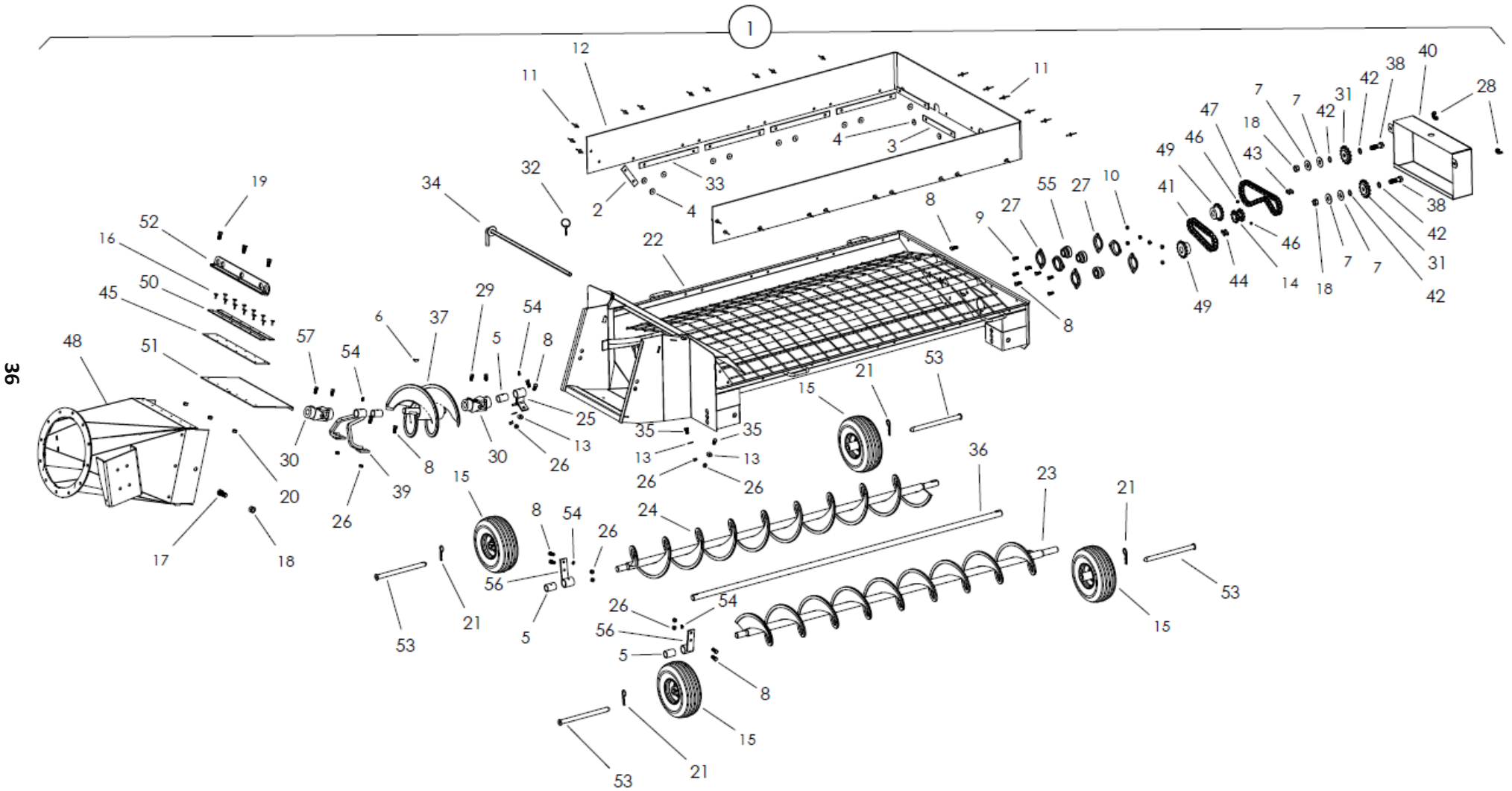
MKX100 SWING TUBE



MKX100 SWING TUBE

ITEM	PART NO.	DESCRIPTION
1	10-21644	MKX/X10 GEAR SWING TUBE BUNDLE
2	10-21649	MKX/X10 SPOUT HEAD ASSEMBLY
3	10-18866	SWING TUBE ONLY
4	10-21711	MKX/X10 SWING TUBE FLIGHT
5	10-21571	#50-13P DOUBLE ROLLER CHAIN
6	10-18849	UPPER GEARBOX
7	10-18727	SPLINED U-JOINT (BLACK)
8	10-21568	50B14 CUSTOM SPROCKET C/W PIN HOLE
9	10-17747	7/16" X 2-1/2" NC BOLT GR 8 PLTD
10	10-19598	7/16" NC NYLON LOCKNUT GR 2 PLTD
11	10-18877	SPOUT ATTACH PLATE
12	10-19537	1/4" X 1/2" HEX WASHER HEAD GR 5 PLTD
13	10-19594	1/4" NC SERRATED FLANGE NUT PLTD
14	10-21642	MKX/X10 SPOUTHEAD LID
15	10-27889	LEVELLER BUSHING
16	10-19540	3/8" X 3/4" NC BOLT GR 5 PLTD
17	10-19604	3/8" LOCK WASHER PLTD
18	10-21643	MKX/X10 SPOUTHEAD DOOR
19	10-18728	EXTENSION SPRING
20	10-19542	7/16" X 1" NC BOLT GR 5 PLTD
21	10-28485	7/16" SAE WASHER PLTD
22	10-17593	7/16" NC NYLON LOCKNUT GR 5 YLW PLTD
23	10-18079	5/16" X 2" ROLL PIN
24	10-19225	3/8" X 3/8" SET SCREW
25	10-20048	#50 DOUBLE CONNECTOR LINK
26	10-21641	MKX/X10 SPOUTHEAD ONLY
27	10-21640	MKX/X10 SPOUTHEAD BASE
28	10-20052	LATCH AND CATCH
29	10-21604	14" ID X 10" LONG CLEAR FLEX HOSE
30	10-28744	7/16" X 1-1/2" NC BOLT GR 5 PLTD
31	10-21770	MKX/X10 SPOUT HEAD HOSE STRAP
32	10-29252	DUCTING SECURE TAB
33	10-18185	LARGE FLANGE RIVET
34	10-19988	1/4" X 1" NC BOLT GR 2 PLTD
35	10-28449	1/4" NC NYLON LOCKNUT PLTD
36	10-20335	#8 X 3/4" BOLT PLTD
37	10-20336	#8 LOCKNUT PLTD

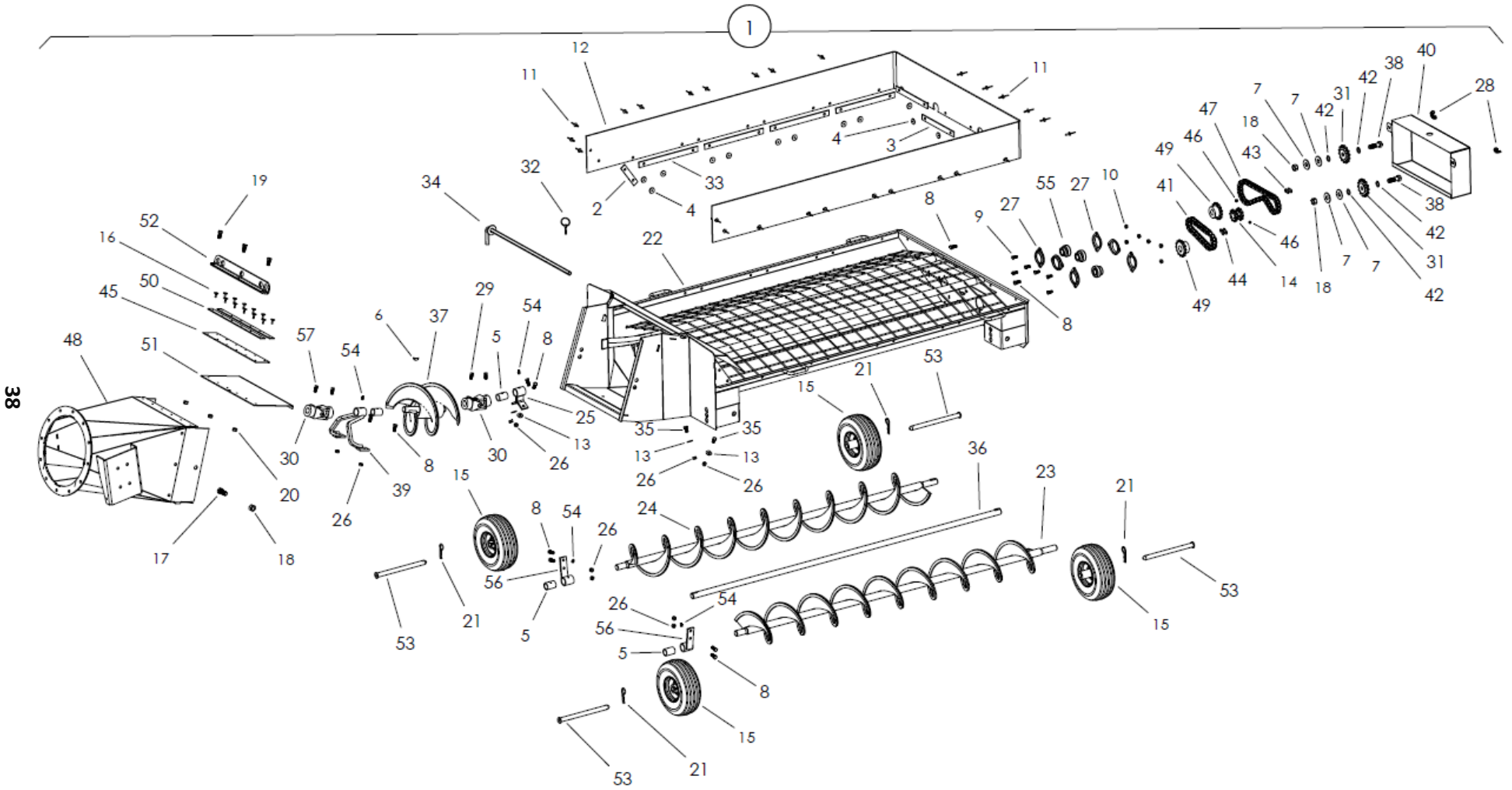
MKX100 LOW PROFILE HOPPER



MKX100 LOW PROFILE HOPPER

ITEM	PART NO.	DESCRIPTION
1	10-21617	MKX/X10 LP HOPPER ASSEMBLY
2	10-18878	4-3/4 STRAP
3	10-17358	10-1/2 BELT ATTACH
4	10-18186	3/16" X 1 RIVET WASHER
5	10-19149	1" BUSHING
6	10-19224	1/4" X 1" WOODRUFF KEY
7	10-19966	5/8" FLAT WASHER PLTD
8	10-18955	3/8" X 1" NC BOLT GR 5 PLTD
9	10-19538	5/16" X 3/4" NC BOLT GR 2 PLTD
10	10-19595	5/16" NC SERRATED FLANGE NUT PLTD
11	10-20399	3/16" X 5/8" GRIP ALUM RIVET
12	10-29896	LP RUBBER BELTING
13	10-17392	3/8" FLAT WASHER PLTD
14	10-21566	DS50A10 X 1 SPROCKET
15	10-17522	LOW PRO HOPPER WHEEL
16	10-18185	LARGE FLANGE RIVET
17	10-19590	5/8" X 1-1/2" NC BOLT GR 8 PLTD
18	10-19600	5/8" NC NYLON LOCKNUT PLTD
19	10-19542	7/16" X 1" NC BOLT GR 5 PLTD
20	10-19598	7/16" NC NYLON LOCKNUT GR2 PLTD
21	10-19463	SNAP PIN
22	10-29978	LP HOPPER ONLY
23	10-17345	LP HOPPER FLIGHT SECTION
24	10-29963	LP HOPPER FLIGHT, LH
25	10-17352	BUSHING SUPPORT, LP HOPPER SHAFT
26	10-17402	3/8" NC NYLON LOCKNUT PLTD
27	10-18694	FLANGE PLATED FINISH
28	10-20082	3/8" WING NUT PLTD
29	10-29117	SETSCREW, 3/8" X 5/8" GR 8 SQ END
30	10-29175	U-JOINT (BLACK)
31	10-29894	50C15 X 5/8 IDLER SPROCKET
32	10-29998	3/16" X 1-3/8" LINCHPIN
33	10-18054	BELT ATTACH
34	10-20461	LP DOOR PIN, BENT
35	10-19540	3/8" X 3/4" NC BOLT GR 5 PLTD
36	10-17346	LP DRIVESHAFT
37	10-17356	LP NECK FLIGHT SECTION
38	10-27484	5/8" X 2-1/4" NC BOLT GR 8 PLTD
39	10-21616	MKX/X10 NECK FLIGHT SUPPORT
40	10-29981	LP CHAIN COVER
41	10-21990	#50 - 1R X 29P ROLLER CHAIN
42	10-18096	5/8" RIM WASHER PLTD
43	10-20430	#50 (HEAVY) CONNECTOR LINK
44	10-19134	#50 CONNECTOR LINK
45	10-21101	TRANSITION BELT
46	10-21872	SETSCREW, 5/16" X 5/16" GR 5
47	10-21991	#50 - 1R X 47P ROLLER CHAIN (HEAVY)
48	10-21686	MKX/X10 TRANSITION ASSEMBLY
49	10-19131	50B14 X 1" SPROCKET
50	10-21102	TRANSITION BELT STRAP

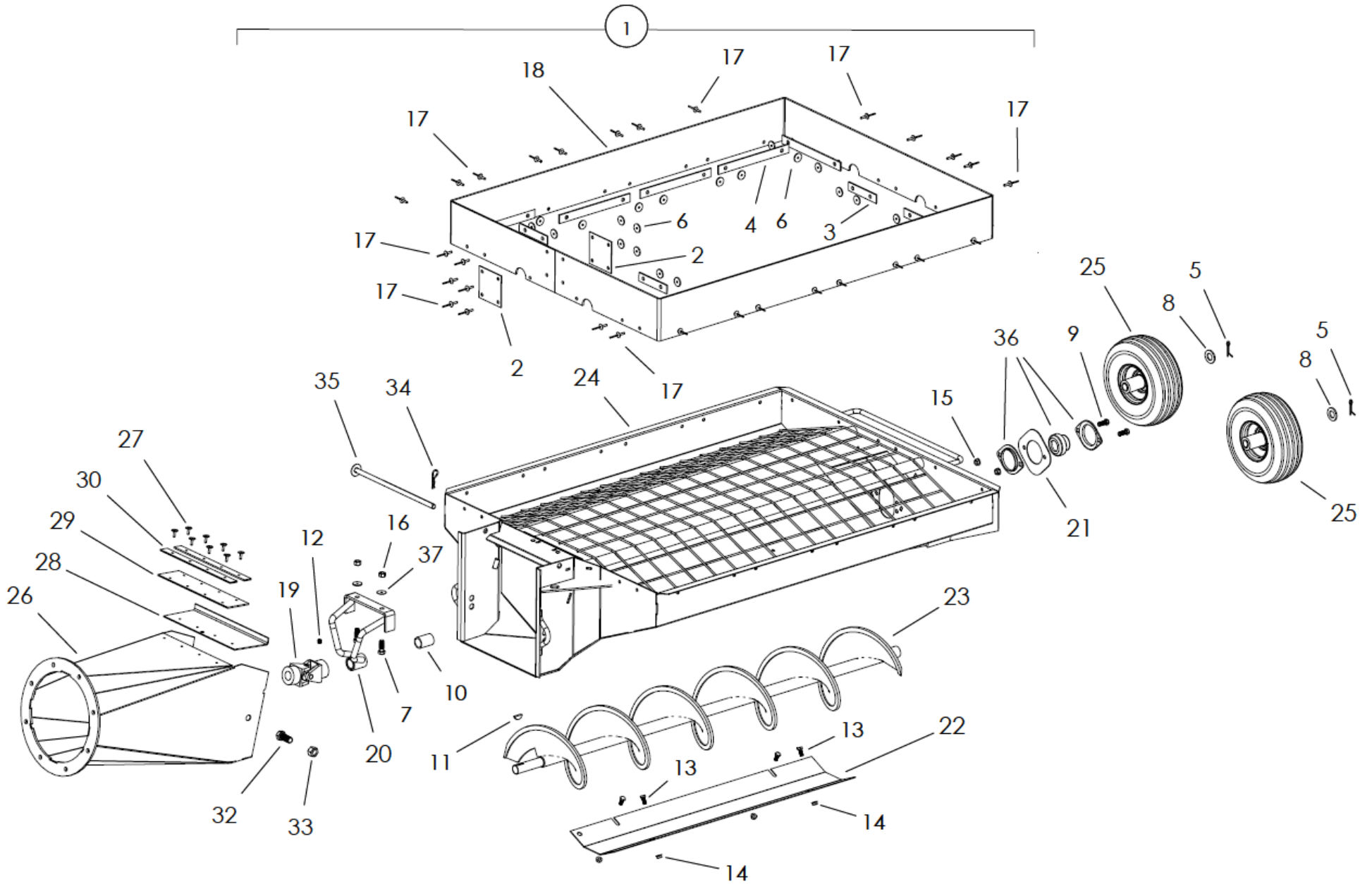
MKX100 LOW PROFILE HOPPER



MKX100 LOW PROFILE HOPPER

ITEM	PART NO.	DESCRIPTION
51	10-21100	LP TRANSITION ACCESS DOOR
52	10-21816	MKX/X10 LIFT CABLE ATTACH BRACKET
53	10-17394	LP FIXED WHEEL AXLE
54	10-19222	GREASE ZERK
55	10-18817	BEARING
56	10-17583	BUSHING SUPPORT
57	10-19225	3/8" X 3/8" SET SCREW

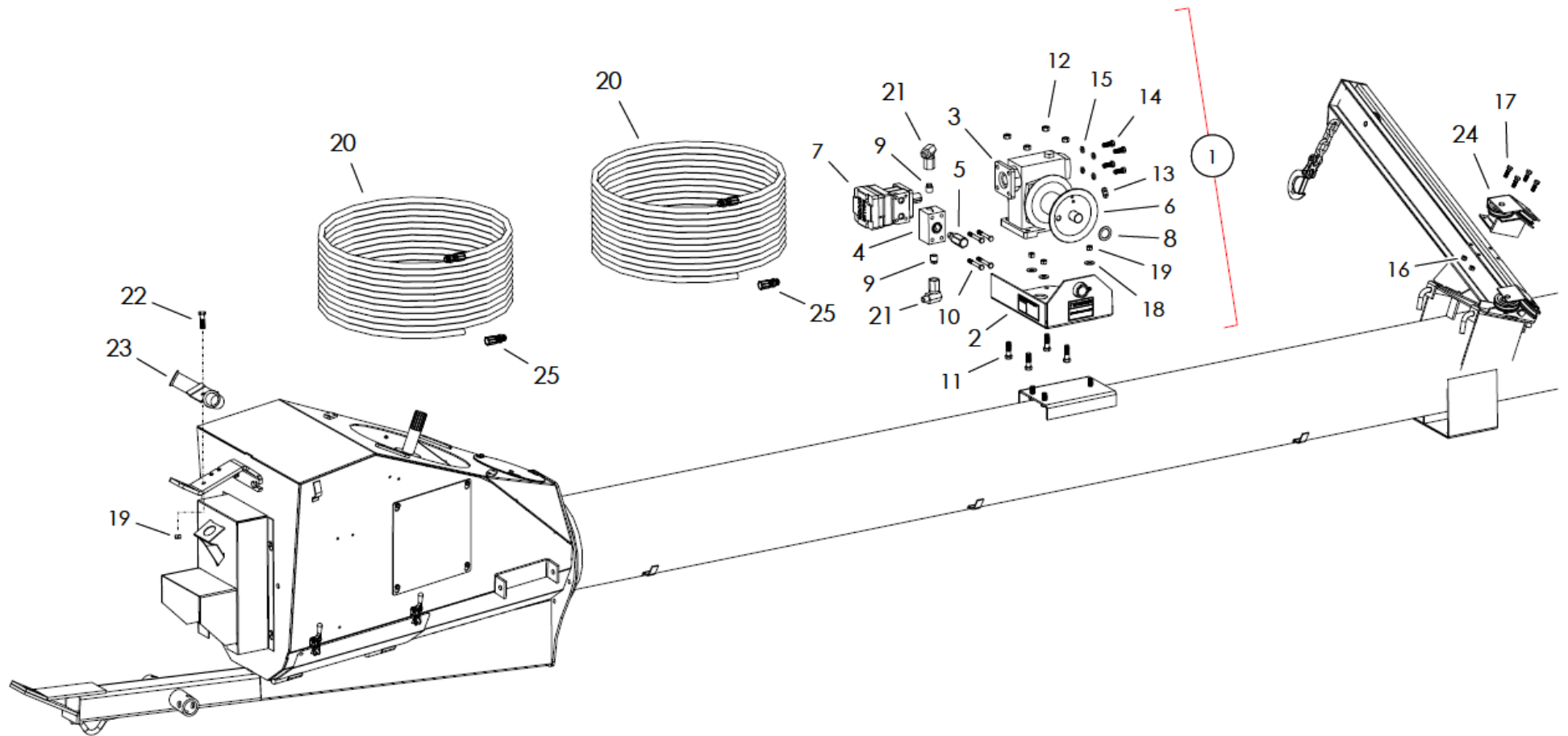
MKX100 STANDARD HOPPER



MKX100 STANDARD HOPPER

ITEM	PART NO.	DESCRIPTION
1	10-22450	MKX100 REG HOPPER ASSEMBLY (2016)
1A	10-22792	MKX100 REG HOPPER ASSEMBLY (2017) (SN: 280756+)
2	10-18055	RUBBER EXT. CONNECTOR PLATE
2A	10-22927	HOPPER RUBBER CONN PLATE (SN: 280756+)
3	10-18878	4-3/4 STRAP
4	10-17358	10-1/2 BELT ATTACH
5	10-18155	3/16" X 1-1/4" COTTER PIN PLTD
6	10-18186	3/16" X 1 RIVET WASHER
7	10-18698	7/16" X 1-1/4" NC BOLT GR 8 PLTD
8	10-18948	3/4" RIM WASHER PLTD
9	10-18955	3/8" X 1" NC BOLT GR 5 PLTD
10	10-19149	1" BUSHING
11	10-19224	1/4" X 1" WOODRUFF KEY
12	10-19225	3/8" X 3/8" SET SCREW
13	10-19538	5/16" X 3/4" NC BOLT GR 2 PLTD
14	10-19595	5/16" NC SERRATED FLANGE NUT PLTD
15	10-19596	3/8" NC SERRATED FLANGE NUT PLTD
16	10-19598	7/16" NC NYLON LOCKNUT GR 2 PLTD
17	10-20399	3/16" X 5/8" GRIP ALUM RIVET
18	10-21861	MKX REGULAR HOPPER BELTING
19	10-29175	U-JOINT (BLACK)
20	10-22444	10" - BUSHING SUPPORT
21	10-29338	BEARING SUPPORT PLATE
22	10-29355	CLEANOUT COVER
23	10-21802	MKX100 REGULAR HOPPER FLIGHT
24	10-22449	MKX100 HOPPER ONLY
24A	10-22791	MKX100 REG HOPPER ONLY (2017) (SN: 280756+)
25	10-17522	LOW PRO HOPPER WHEEL
26	10-22448	MKX10 STRAIGHT TRANSITION ASSEMBLY
26A	10-22776	MKX100 REG HPR TRANS ASSY (2017) (SN: 280756+)
27	10-18185	RIVET (LARGE FLANGE)
28	10-21775	10" TRANSITION ACCESS DOOR
29	10-21779	MKX10 TRANSITION BELT, REGULAR HOPPER
30	10-21806	MKX100 REG TRANSITION STRAP
31	10-19222	1/4" #28 GREASE ZERK (NOT SHOWN)
32	10-19590	5/8" X 1-1/2" NC BOLT GR 8 PLTD
33	10-19600	5/8" NC NYLON LOCKNUT PLTD
34	10-19463	SNAP PIN
35	10-29323	DOOR PIN
36	10-19322	1-1/4 2 HOLE FLANGE BEARING
37	10-28485	7/16" SAE WASHER PLTD
38	10-19222	1/4" #28 GREASE ZERK (NOT SHOWN)

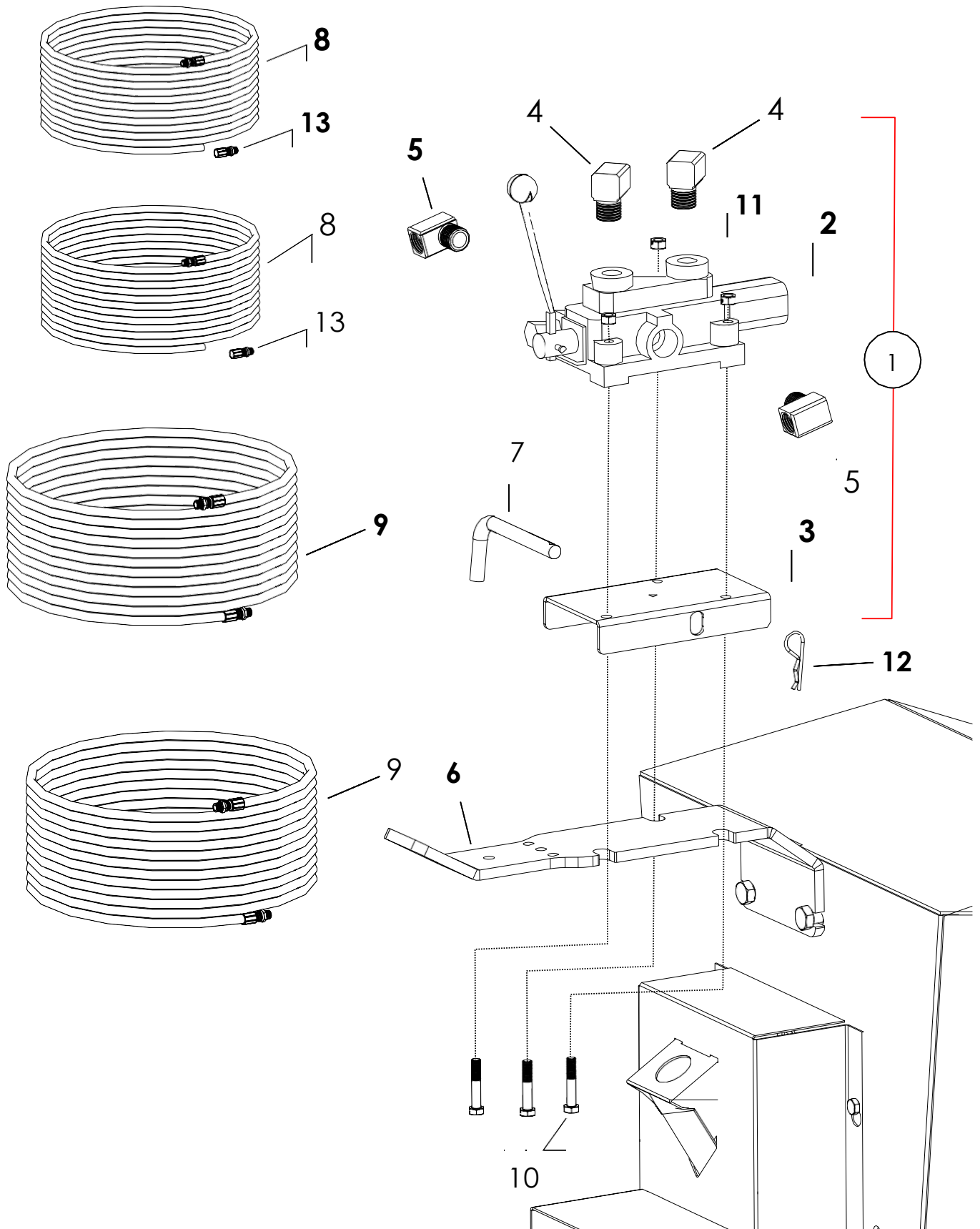
MKX100 HYDRAULIC WINCH [A296]



MKX100 HYDRAULIC WINCH [A296]

ITEM	PART NO.	DESCRIPTION
1	10-17634	HYDRAULIC WINCH ASSEMBLY, RED
2	10-17628	HYD WINCH FRAME ASSEMBLY, RED
3	10-17625	60 WPUDS 20:1
4	10-28221	MANIFOLD WINCH RELIEF BLOCK
5	10-28222	VALVE WINCH NON-ADJ REFLIEF MANIFOLD
6	10-17629	HYDRAULIC WINCH DRUM, RED
7	10-17626	MOTOR, HYD, 3.2, MANIFOLD KEYED
8	10-18097	1" RIM WASHER PLTD
9	0308013	3/8" NPT PLASTIC PLUG
10	10-17631	5/16" X 2-1/2" NC BOLT GR 2 PLTD
11	10-28744	7/16" X 1-1/2" NC BOLT GR 5 PLTD
12	10-19598	7/16" NC NYLON LOCKNUT GR 2 PLTD
13	10-18496	ROPE KEEPER KIT
14	10-18955	3/8" X 1" NC BOLT GR 5 PLTD
15	10-19604	3/8" LOCK WASHER PLTD
16	10-19980	5/16" NC NYLON LOCKNUT PLTD
17	10-21558	BOLT, 5/16" X 1" GR8 PLTD
18	10-17392	3/8" FLAT WASHER PLTD
19	10-17402	3/8" NC NYLON LOCKNUT PLTD
20	10-22611	3/8" X 215" HYDRAULIC HOSE
21	1100625	STEEL ELBOW 90, 1/2FNPSMX3/8MNPT
22	10-29246	3/8" X 1" GR8 SHEAR BOLT AND NUT
23	10-17467	MK91 DOUBLE HOSE HOLDER
24	10-20033	LIFT ARM PULLEY GUIDE
25	9900047	PIONEER COUPLER

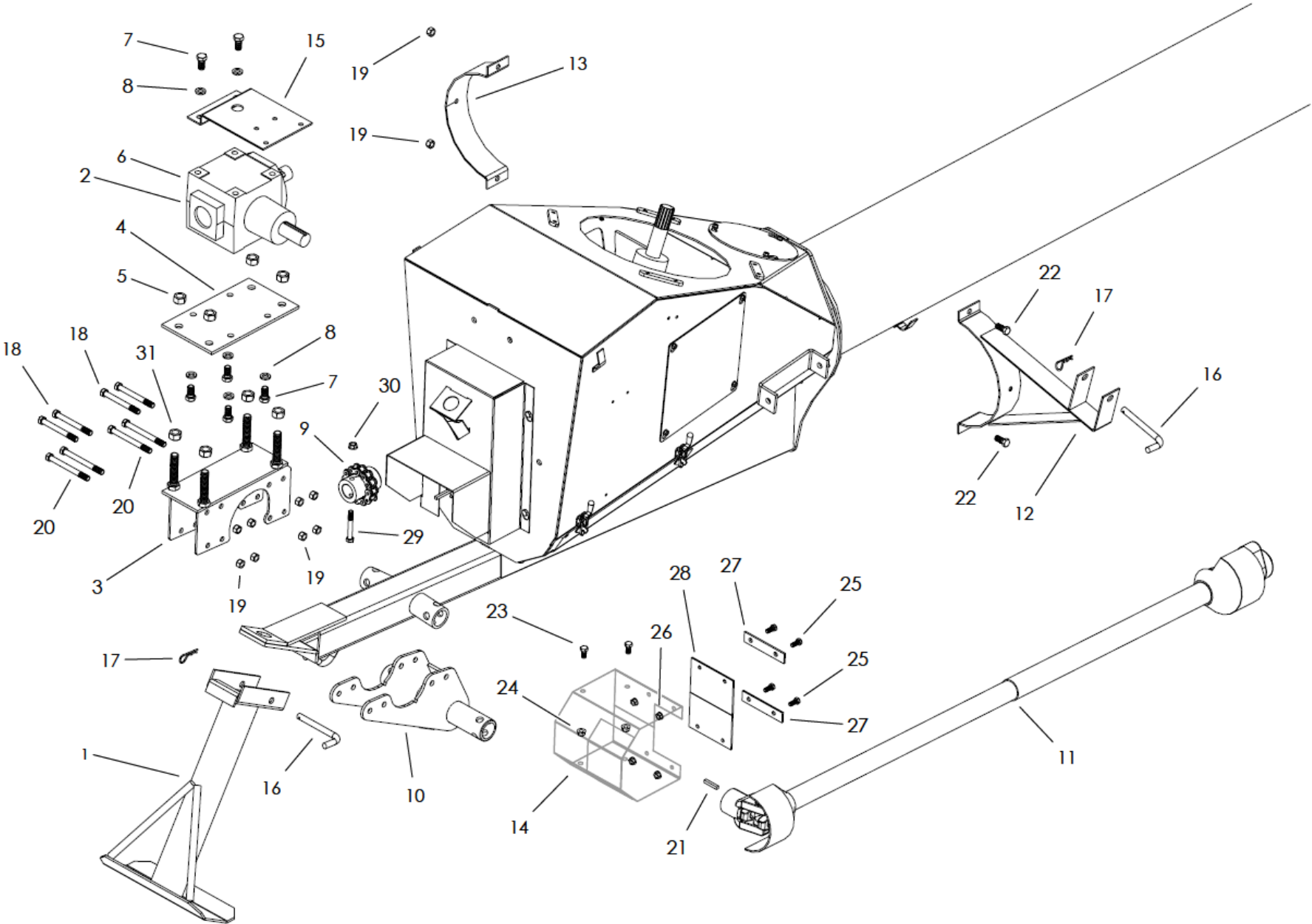
MKX100 HYDRAULIC VALVE [A336]



MKX100 HYDRAULIC VALVE [A336]

ITEM	PART NO.	DESCRIPTION
1	10-20132	HYDRAULIC VALVE ASSEMBLY
2	10-17675	HYDRAULIC VALVE
3	10-20044	VALVE MOUNT PLATE
4	10-28478	STEEL ELBOW
5	10-29087	STEEL ELBOW 90, 12MNPT X 8FNPSM
6	10-20043	PTO/VALVE BRACKET, 10"/13"
7	10-19648	SADDLE PIN
8	10-21860	3/8" X 77" HYDRAULIC HOSE
9	10-21774	3/8" X 132" HYDRAULIC HOSE
10	10-17712	5/16" X 1-3/4" NC BOLT GR 5 PLTD
11	10-19980	5/16" NC NYLON LOCKNUT PLTD
12	10-17383	GRIP CLIP
13	9900047	PIONEER COUPLER

MKX100 RIGHT ANGLE DRIVE [A293]



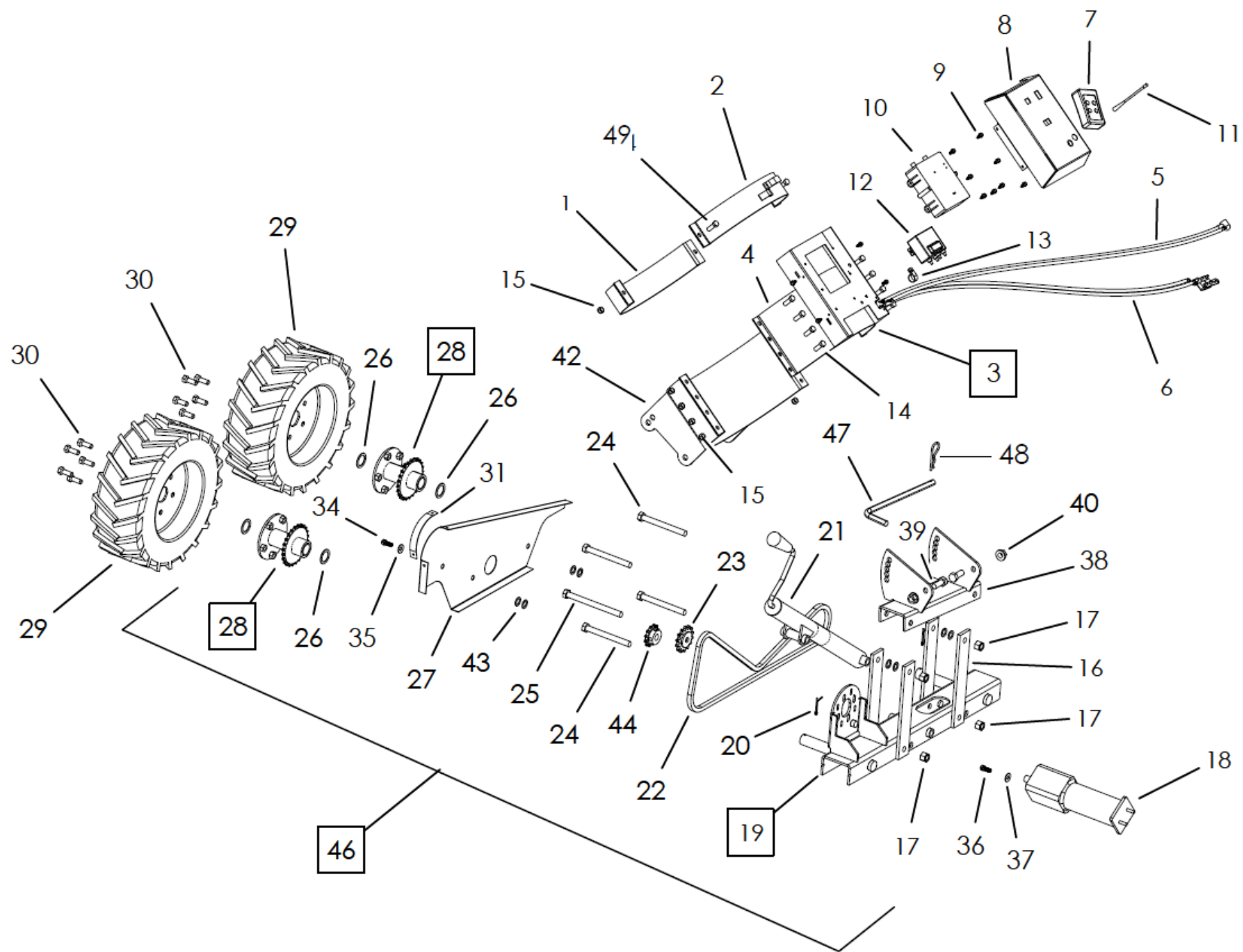
MKX100 RIGHT ANGLE DRIVE [A293]

ITEM	PART NO.	DESCRIPTION
1	10-29137	RAD LEG
2	10-21798	RAD GEARBOX ASSEMBLY
3	10-21799	RAD GEARBOX MOUNT
4	10-17597	ADJUST PLATE, RAD
5	10-19600	5/8" NC NYLON LOCKNUT PLTD
6	10-19585	GEARBOX
7	10-19231	1/2" X 1" NC BOLT GR 5 PLTD
8	10-19605	1/2" LOCK WASHER PLTD
9	10-17637	FLEX COUPLER
10	10-29315	RAD JACK MOUNT
11	10-17610	WHITE END PTO SHAFT (60")
12	10-19804	SD SADDLE BRACKET
13	10-19801	HALF CLAMP
14	10-17232	PTO SHIELD ASSEMBLY
15	10-17598	RAD ATTACH PLATE
16	10-19648	SADDLE PIN
17	10-19463	HITCH PIN
18	10-19982	7/16" X 4" NC BOLT GR 5 PLTD
19	10-19598	7/16" NC NYLON LOCKNUT GR 2 PLTD
20	10-29316	7/16" X 4-1/2" NC BOLT GR 5 PLTD
21	10-19606	1/4" X 1-1/2" SQUARE KEY
22	10-19542	7/16" X 1" NC BOLT GR 5 PLTD
23	10-19540	3/8" X 3/4" NC BOLT GR 5 PLTD
24	10-19596	3/8" NC SERRATED FLANGE NUT PLTD
25	10-19538	5/16" x 3/4" BOLT, GR2 PLTD
26	10-19595	5/16" FLANGE NUT
27	10-18878	4-3/4" STRAP
28	10-17229	RUBBER BELT
29	10-17635	3/8" X 2-3/4" NC BOLT GR 8 PLTD
30	10-19596	3/8" NC SERRATED FLANGE NUT PLTD
31	10-19864	5/8" NC HEX NUT PLTD

MKX100 REVERSING KIT [A292]

ITEM	PART NO.	DESCRIPTION
1	10-21786	REVERSER BRACKET ASSEMBLY
2	10-19322	1-1/4 2-HOLE FLANGE BEARING
3	10-17054	REVERSER COUPLER
4	10-17067	60B14 X 1-1/4 SPROCKET
5	10-19224	1/4" X 1" WOODRUFF KEY
6	10-21785	MKX/X10 REVERSER BRACKET
7	10-27986	3/8" X 1" NC CARRIAGE BOLT GR 5 PLTD
8	10-19596	3/8" NC SERRATED FLANGE NUT PLTD
9	10-17051	REV LOWER COUPLER
10	10-20705	VALVE BRACKET
11	10-17055	REV HITCH EXTENSION
12	10-18176	SPLINED SHAFT
13	10-21784	REVERSER SHIELD
14	10-21989	MKX/X10 REVERSER SHIELD BRACKET
15	10-21758	1/4" X 3-3/8" SQUARE KEY
16	10-18079	5/16" X 2" ROLL PIN
17	10-19231	1/2" X 1" NC BOLT GR 5 PLTD
18	10-19599	1/2" NC NYLON LOCKNUT GR 2 PLTD
19	10-19606	1/4" X 1-1/2" SQUARE KEY
20	10-19592	3/4" X 2" NC BOLT GR 8 PLTD
21	10-19601	3/4" NC NYLON LOCKNUT PLTD
22	10-18545	5/8" X 4-1/2" NC BOLT GR 8 PLTD
23	10-19600	5/8" NC NYLON LOCKNUT PLTD
24	10-29526	#60 OFFSET LINK
25	10-19538	5/16" X 3/4" BOLT GR2 PLTD
26	10-19980	5/16" NC NYLON LOCKNUT PLTD
27	10-19589	1/2" X 1-1/2" NC BOLT GR8 PLTD
28	10-17750	1/2" NC NYLON LOCKNUT PLTD
29	10-19979	FLAT WASHER, 3/4"

A269 ELECTRIC POWER SWING-10"

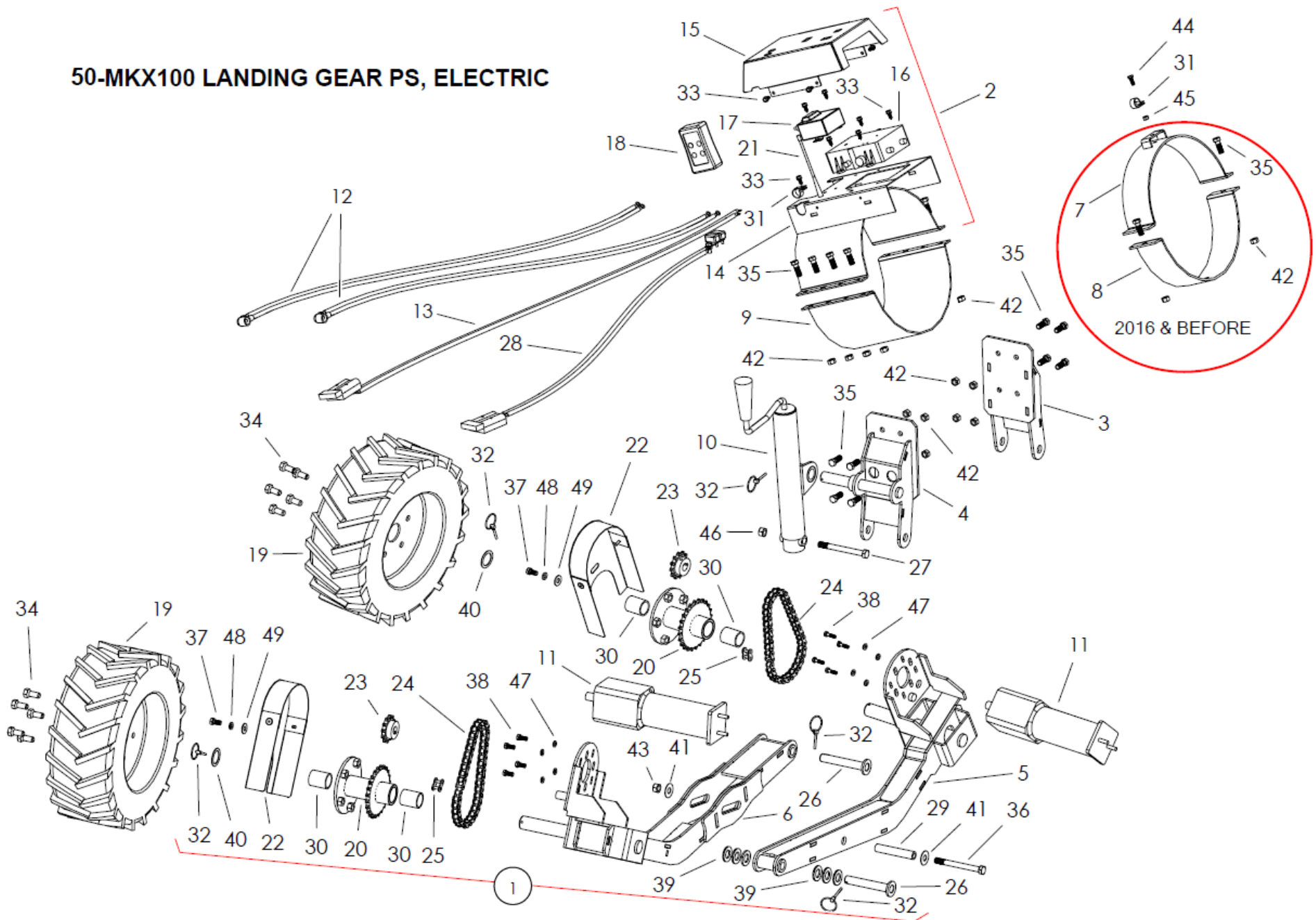


A269 ELECTRIC POWER SWING-10"

ITEM	PART NO.	DESCRIPTION
1	10-19801	W100 HALF CLAMP
2	10-17696	MK100 PS HOSE CLIP HALF CLAMP
3	10-20289	ASSY, 10" P/S TOP CLAMP RECEIVER
4	10-20154	10" TOP CLAMP W.A RC POWERSWING
5	10-20168	WIRE HARNESS - CONTACTOR TO MOTOR
6	10-20169	WIRE HARNESS - CONTACTOR TO BATTERY
7	10-20134	92102TX TRANSMITTER
8	10-20178	COVER, PS RECEIVER ARMOR - POWERSWING
9	10-19274	#14 X 5/8" SHEET METAL SCREW
10	10-20135	RECEIVER, REMOTE CONTROL-LOADAR
11	10-20524	ANTENNA
12	10-20136	CONTACTOR, 80 AMP
13	10-20268	CLAMP, 5/8" X 12" INSULATED (QUICK504404-010)
14	10-18698	7/16" X 1-1/4" BOLT GR 8
15	10-19598	7/16" NYLON LOCKNUT GR 2
16	10-20174	PLATE, PARALLEL BAR - POWERSWING
17	10-19600	5/8" NYLON LOCKNUT
18	10-20138	12V. DC MOTOR
19	10-20173	AXLE ASSY, POWER SWING
20	10-17757	3/16" X 1-3/4" COTTER PIN
21	10-20179	JACK, POWERSWING
22	10-20515	#50 ROLLER CHAIN
23	10-29894	50C15 X 5/8" SPROCKET IDLER
24	10-20163	5/8" X 6" BOLT GR5
25	10-20164	5/8" X 7-1/2" BOLT GR8
26	10-17651	1-1/4" RIM WASHER PLTD
27	10-20180	GUARD, POWERSWING
28	10-20166	ASSY HUB, W/ BUSHING
29	10-20137	16 X 6.5 5 BOLT WHEEL ASSM
30	10-19273	1/2" X 1-3/4" NF #5 WHEEL BOLT
31	10-20180	GUARD, CURVED P/S
32	10-20268	5/8" X 1/2" INSULATED CAP (NOT SHOWN)
33	10-19134	#50 CONNECTOR LINK (NOT SHOWN)
33	10-20135	9200RX RECEIVER (NOT SHOWN)
34	10-19540	3/8" X 3/4" BOLT GR5
35	10-17392	3/8" FLAT WASHER
36	10-20445	1/4" X 1" BOLT GR8
37	10-27336	5/16" FLAT WASHER
38	10-20892	PIVOT - POWERSWING
39	10-19590	5/8" X 1-1/2" BOLT GR 8
40	10-27588	5/8" SERRATED FLANGE NUT
41	10-20136	9824 CONTACTOR (NOT SHOWN)
42	10-20291	10" BOTTOM CLAMP - POWER SWING
43	10-18096	5/8" RIM WASHER PLTD
44	10-20210	50B1215 X 3/4" SPROCKET
46	10-20269	ELECTRIC PS AXLE AS SHIPPED
47	10-20895	PS ADJUST PIN
48	10-19463	HAIRPIN, 7/16" X 3/4", 1/8" DIA.
49	10-19542	7/16" X 1" NC BOLT GR5 PLTD

A363 ELECTRIC LANDING GEAR POWER SWING - 10"

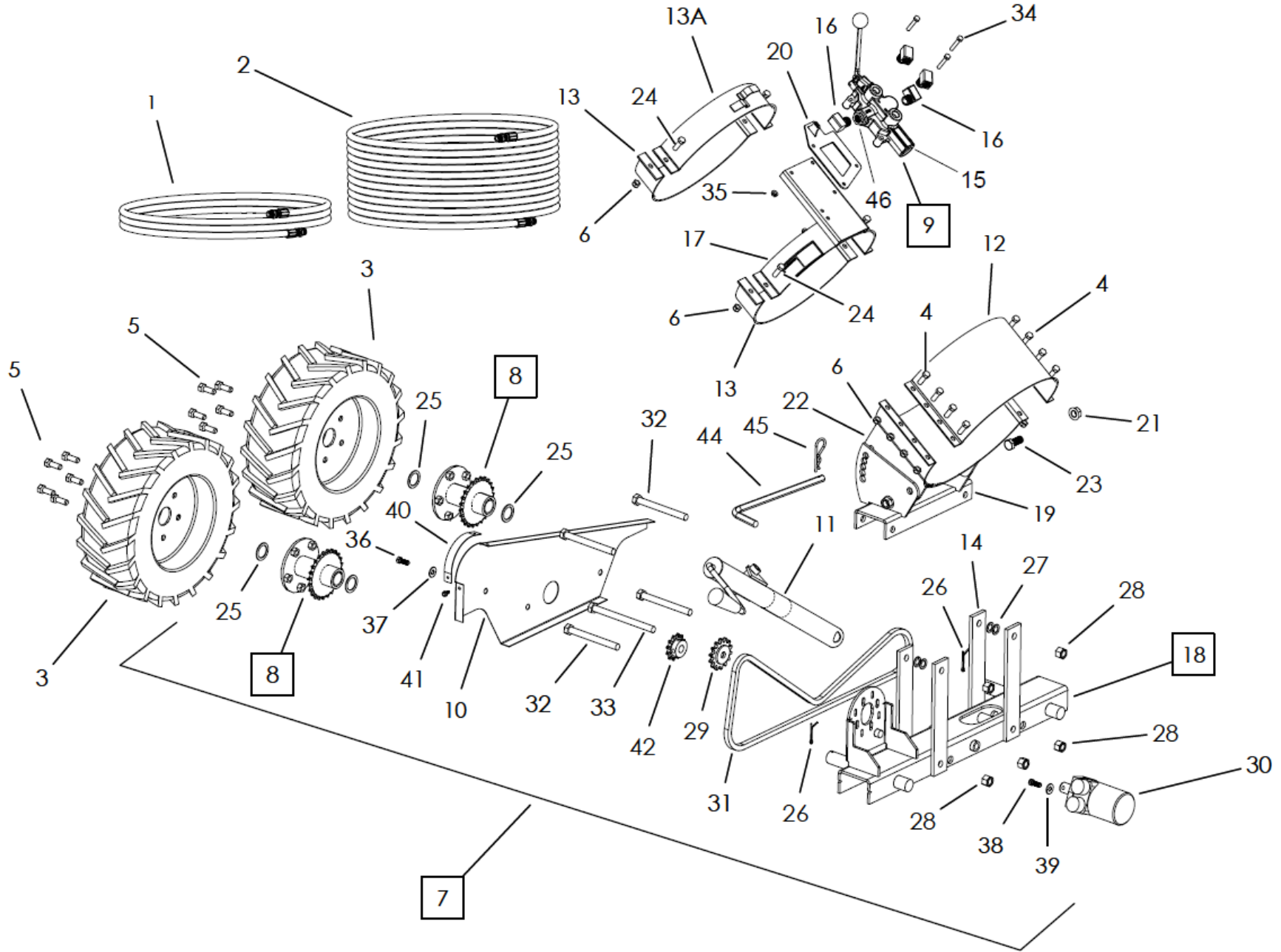
50-MKX100 LANDING GEAR PS, ELECTRIC



A363 ELECTRIC LANDING GEAR POWER SWING - 10"

ITEM	PART NO.	DESCRIPTION
1	10-22563	LANDING GEAR PS ELEC ASSEMBLY
2	10-20289	ASSY, 10" P/S TOP CLAMP RECEIVER
3	10-22554	ATTACH, RH, MKX/X130 LGPS
4	10-22553	MANUAL JACK ATTACH, MKX/X130 LGPS
5	10-22562	SHORT X-ARM, RH, LGPS
6	10-22564	SHORT X-ARM, LH, LGPS
7	10-22740	MKX/X100 HOSE CLAMP
8	10-19801	10" HALF CLAMP
9	10-27235	10" HITCH RING
10	10-22555	JACK, MANUAL, LANDING GEAR PS
11	10-20138	MOTOR, 12V DC
12	10-20168	WIRE HARNESS - CONTACTOR TO MOTOR
13	10-22582	WIRE HARNESS, BATTERY TO QUICK CONNECT
14	10-20154	10" TOP CLAMP W.A. RC - POWERSWING
15	10-20178	COVER, PS RECEIVER ARMOR - POWERSWING
16	10-20135	RECEIVER
17	10-20136	CONTACTOR
18	10-20134	TRANSMITTER
19	10-20137	POWERSWING 5 BOLT WHEEL ASSEMBLY
20	10-20166	ASSY HUB, W/ BUSHING
21	10-20524	ANTENNA
22	10-22164	CHAIN GUARD, LANDING GEAR
23	10-20210	50B12 X 3/4 SPROCKET
24	10-19133	#50-1R X 37P ROLLER CHAIN
25	10-19134	#50 CONNECTOR LINK
26	10-22168	PIN, LANDING GEAR
27	10-27815	BOLT, 5/8" X 4" NC PLTD
28	10-20169	WIRE HARNESS - CONTACTOR TO BATTERY
29	10-22187	SLIDER BUSHING, LANDING GEAR
30	10-19776	BUSHING, 1-1/4"
31	10-20268	5/8 X 1/2 INSULATED CLAMP
32	10-29998	3/16" X 1-3/8" LINCHPIN
33	10-19274	#14 X 5/8" SMS AB GR 5 PLTD
34	10-20565	1/2" X 1-1/8" NF #5 WHEEL BOLT
35	10-18698	7/16" X 1-1/4" NC BOLT GR 8 PLTD
36	9900564	1/2" X 5" UNC BOLT GR5 PLTD
37	10-19540	3/8" X 3/4" NC BOLT GR5 PLTD
38	10-19988	1/4" X 1" NC BOLT GR2 PLTD
39	10-19979	3/4" FLAT WASHER PLTD
40	10-17651	1-1/4" RIM WASHER
41	10-17401	1/2" FLAT WASHER PLTD
42	10-17593	7/16" NC NYLON LOCKNUT GR5 YLW PLTD
43	10-19599	1/2" NC NYLON LOCKNUT GR 2 PLTD
44	9900800	1/4" X 3/4" NC BOLT GR5 PLTD
45	10-28449	1/4" NC NYLON LOCKNUT PLTD
46	10-19600	LOCKNUT, 5/8"
47	9900783	1/4" LOCK WASHER
48	10-19604	3/8" LOCK WASHER
49	10-17392	3/8" FLAT WASHER
50	05-A363	MKX100 LANDING GEAR PS, ELECTRIC

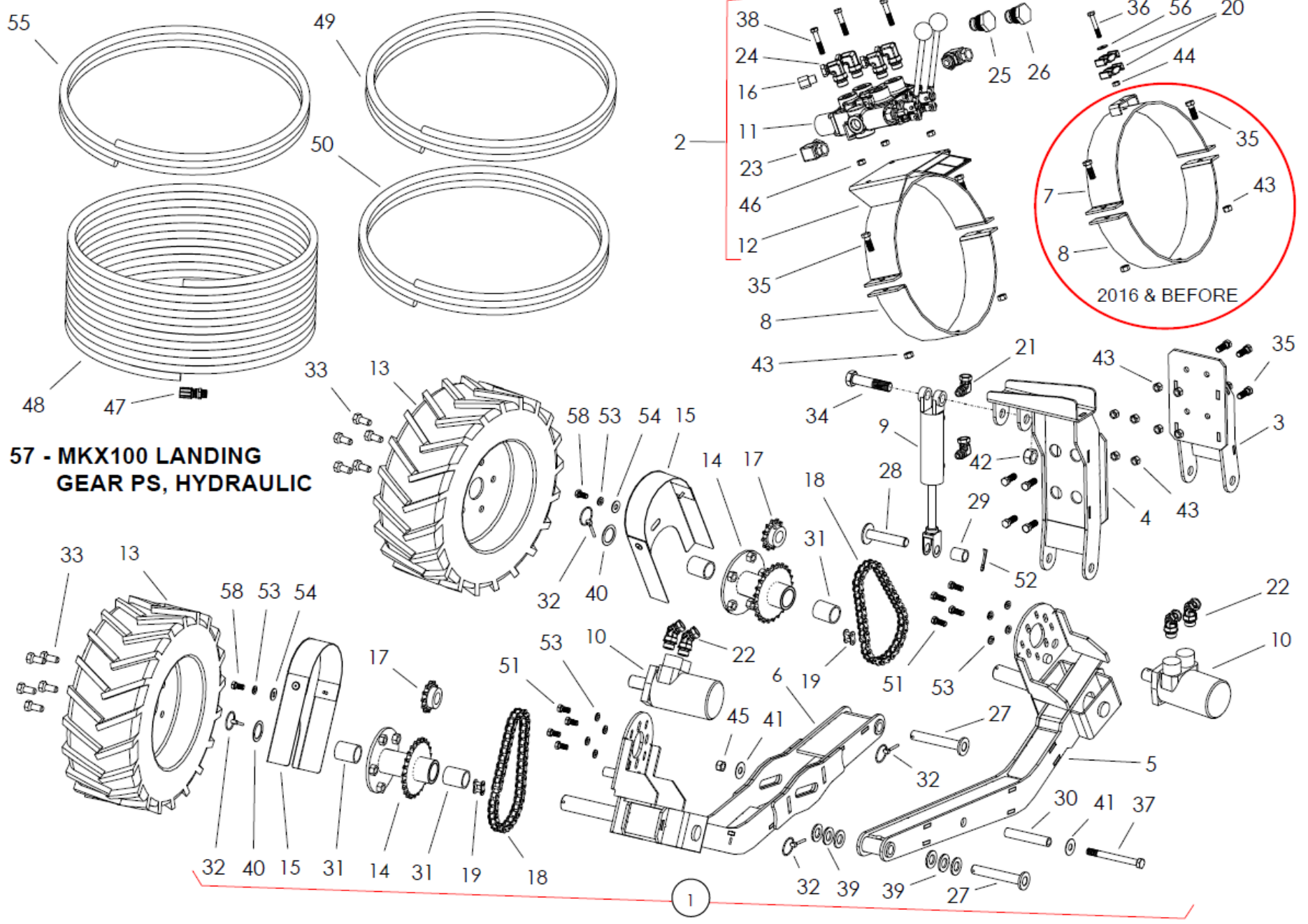
A270 HYDRAULIC POWER SWING-10"



A270 HYDRAULIC POWER SWING-10"

ITEM	PART NO.	DESCRIPTION
1	10-17710	3/8" X 38" HYDRAULIC HOSE
2	10-17711	3/8" X 173" HYDRAULIC HOSE
3	10-20137	16 X 6.5 5 BOLT WHEEL ASSM
4	10-18698	7/16" X 1-1/4" BOLT GR 8
5	10-19273	1/2" X 1-3/4" NF #5 WHEEL BOLT
6	10-19598	7/16" NYLON LOCKNUT GR 2
7	10-20270	HYD PS AXLE AS SHIPPED
8	10-20166	ASSY HUB, W/ BUSHING
9	10-22006	HYDRAULIC VALVE W/ FITTINGS
10	10-20180	GUARD, POWERSWING
11	10-20179	JACK, POWERSWING
12	10-27235	10" HITCH RING
13	10-17696	MK100 PS HOSE CLIP HALF CLAMP
13	10-19801	W100 HALF CLAMP
14	10-20174	PLATE, PARALLEL BAR - POWERSWING
15	10-17675	HYDRAULIC VALVE ONLY
16	10-17699	X115 1/2" STREET ELBOW
17	10-17706	10" POWER SWING VALVE BRACKET
18	10-20173	AXLE ASSY, POWER SWING
19	10-20892	PIVOT - POWERSWING
20	10-20272	HYD SPOOL LIMITER
21	10-27588	5/8" SERRATED FLANGE NUT
22	10-20291	10" BOTTOM CLAMP - POWERSWING
23	10-19590	5/8" X 1-1/2" BOLT GR 8
24	10-19542	7/16" X 1" NC BOLT GR5 PLTD
25	10-17651	1-1/4" RIM WASHER
26	10-17757	3/16" X 1-3/4" COTTER PIN
27	10-18096	5/8" RIM WASHER
28	10-19600	5/8" NC LOCKNUT
29	10-29894	50C15 X 5/8" IDLER SPROCKET
30	10-20246	HYDRAULIC MOTOR
31	10-19134	#50 CONNECTOR LINK (NOT SHOWN)
31	10-20515	#50 ROLLER CHAIN
32	10-20163	BOLT, 5/8 X 6" GR5
33	10-20164	BOLT, 5/8 X 7-1/2" GR8
34	10-17712	5/16" X 1-3/4" BOLT GR5
35	10-19980	5/16" NYLON LOCKNUT
36	10-19540	3/8" X 3/4" BOLT GR5
37	10-17392	3/8" FLAT WASHER
38	10-18955	3/8" X 1" BOLT GR5
39	10-17392	3/8" FLAT WASHER
40	10-20180	GUARD, CURVED P/S
41	10-19274	#14 X 5/8" SHEET METAL SCREW
42	10-20211	50B12 X 1 SPROCKET
44	10-20895	PS ADJUST PIN
45	10-19463	HAIRPIN 7/16" X 3/4", 1/8" DIA.
46	10-27411	REDUCER BUSHING

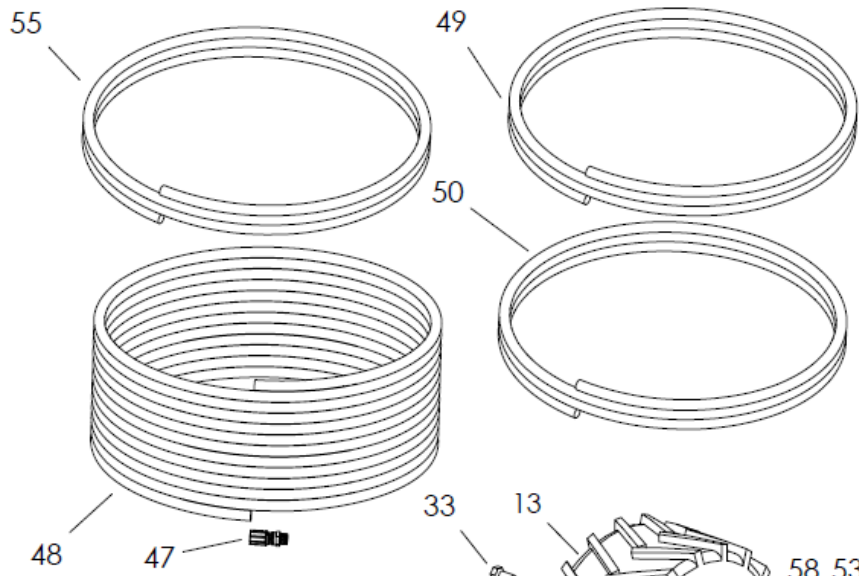
A362 HYDRAULIC LANDING GEAR POWER SWING - 10"



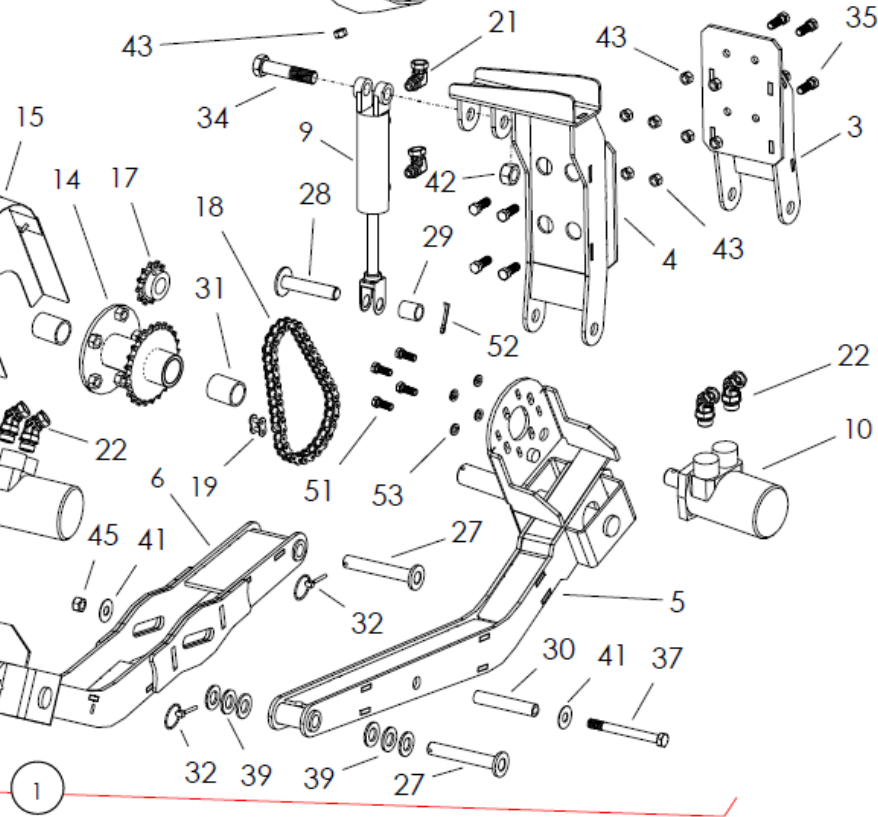
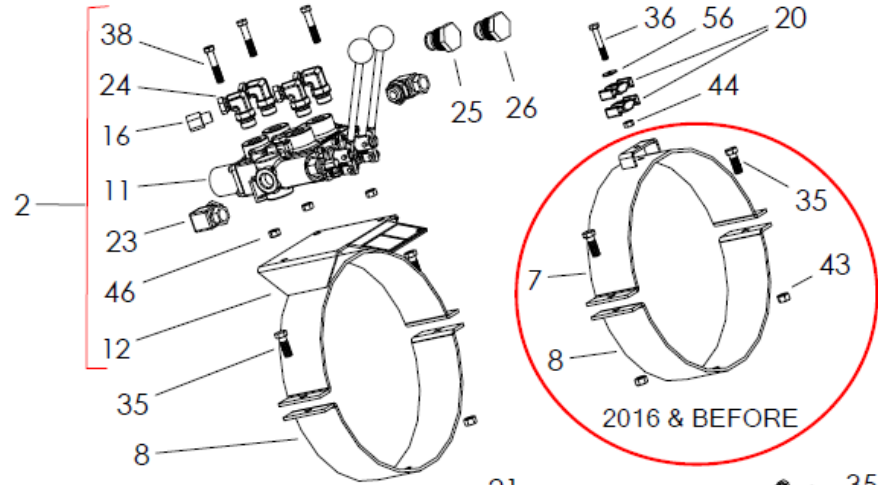
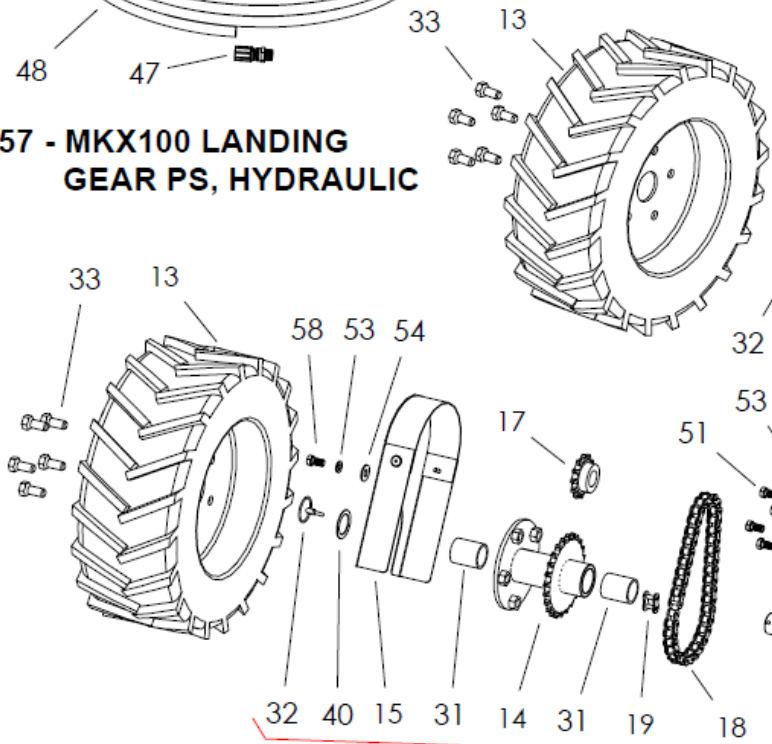
A362 HYDRAULIC LANDING GEAR POWER SWING - 10"

ITEM	PART NO.	DESCRIPTION
1	10-22560	LANDING GEAR PS HYD ASSEMBLY
2	10-22739	2-SPOOL VALVE ASSY, LANDING GEAR PS, RETRO 10"
3	10-22554	ATTACH, RH, MKX/X130 LGPS
4	10-22559	HYD CYLINDER ATTACH, MKX/X130 LGPS
5	10-22562	SHORT X-ARM, RH, LGPS
6	10-22564	SHORT X-ARM, LH, LGPS
7	10-22740	HOSE CLAMP
8	10-19801	10" HALF CLAMP
9	10-22161	1-1/2 X 8 HYDRAULIC CYLINDER
10	10-20246	PS HYD MOTOR, 17.9 CU IN
11	10-21550	2 SPOOL VALVE, 25 GPM
12	10-22738	2-SPOOL VALVE MOUNT, RETRO 10"
13	10-20137	POWERSWING 5 BOLT WHEEL ASSEMBLY
14	10-20166	ASSY HUB, W/ BUSHING
15	10-22164	CHAIN GUARD, LANDING GEAR
16	10-22746	ORIFICE, 3/8" MALE X 3/8" FEMALE
17	10-20211	50B12 X 1 SPROCKET
18	10-19133	#50-1R X 37P ROLLER CHAIN
19	10-19134	#50 CONNECTOR LINK
20	10-28732	LINE BLOCK
21	10-22191	STEEL ELBOW 6MORB X 3/8 NSPM
22	10-22556	ADAPTER, 45 DEG, #10MORB X #6FNPSM
23	10-21569	ADAPTER, 90 DEG, #8 FPT X #12 MORB
24	10-22566	ELBOW, #10MORB X #6FNPSM
25	10-21638	CLOSED CENTER PLUG ASSM
26	10-22156	CONVERSION PLUG, OPEN CENTER
27	10-22168	PIN, LANDING GEAR
28	10-22577	PIN, LGPS CYLINDER ATTACH
29	10-22578	SPACER SLEEVE, LGPS CYL ATTACH
30	10-22187	SLIDER BUSHING, LANDING GEAR
31	10-19776	BUSHING, 1-1/4"
32	10-29998	3/16" X 1-3/8" LINCHPIN
33	10-20565	1/2" X 1-1/8" NF #5 WHEEL BOLT
34	10-20398	3/4" X 3-1/2" NC BOLT GR 5 PLTD
35	10-18698	7/16" X 1-1/4" NC BOLT GR 8 PLTD
36	10-17631	5/16" X 2-1/2" NC BOLT GR 2 PLTD
37	9900564	1/2" X 5" UNC BOLT GR5 PLTD
38	10-27979	3/8" X 2" NC BOLT GR5 PLTD
39	10-19979	3/4" FLAT WASHER PLTD
40	10-17651	1-1/4" RIM WASHER
41	10-17401	1/2" FLAT WASHER PLTD
42	10-19601	3/4" NC NYLON LOCKNUT PLTD
43	10-17593	7/16" NC NYLON LOCKNUT GR5 YLW PLTD
44	10-19980	5/16" NC NYLON LOCKNUT PLTD
45	10-19599	1/2" NC NYLON LOCKNUT GR 2 PLTD
46	10-17402	3/8" NC NYLON LOCKNUT PLTD
47	9900047	PIONEER COUPLER
48	10-29368	1/2" X 247" HYDRAULIC HOSE
49	10-29414	3/8" X 46" HYDRAULIC HOSE
50	10-28229	3/8" X 50" HYDRAULIC HOSE

A362 HYDRAULIC LANDING GEAR POWER SWING - 10"



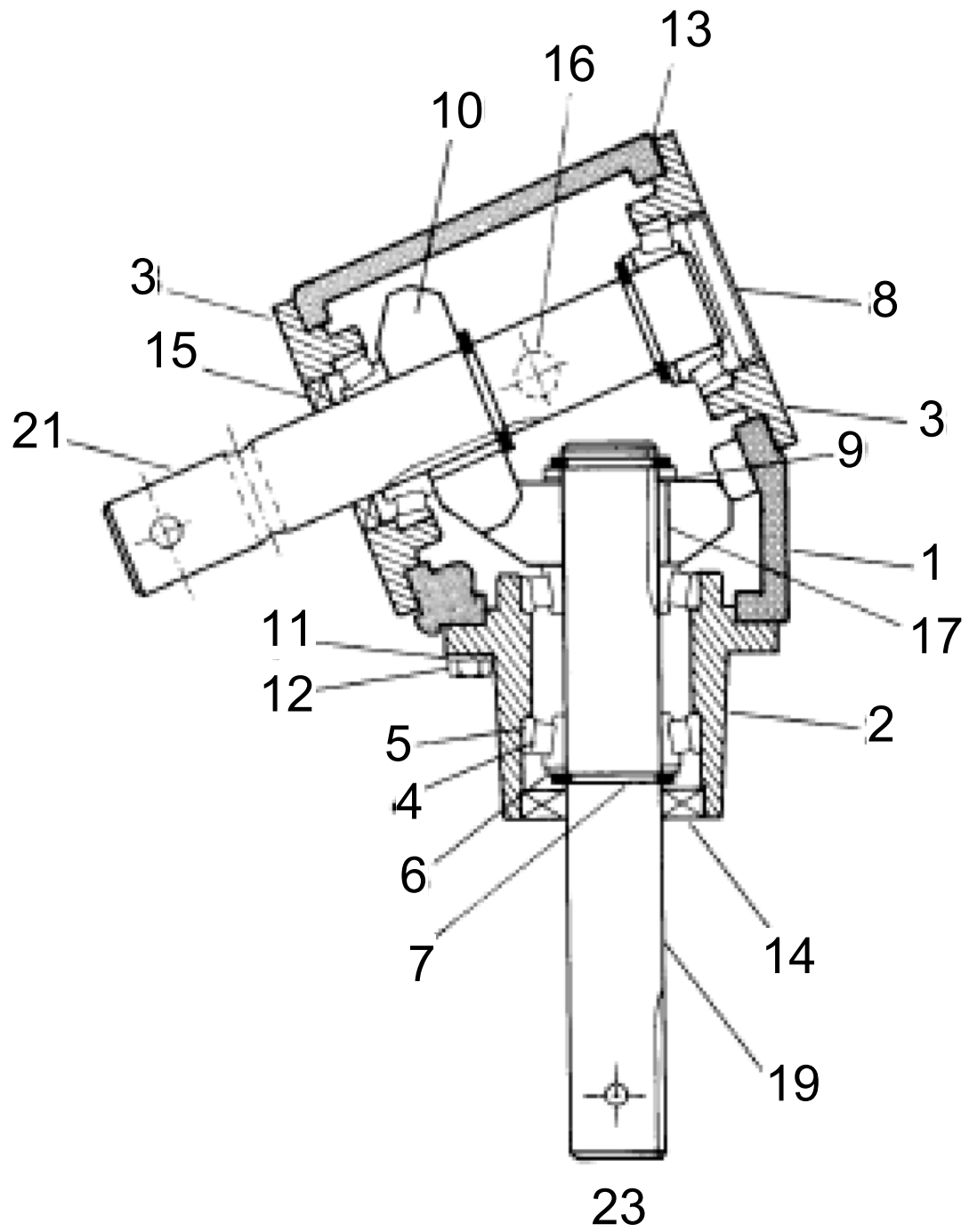
57 - MKX100 LANDING GEAR PS, HYDRAULIC



A362 HYDRAULIC LANDING GEAR POWER SWING - 10"

ITEM	PART NO.	DESCRIPTION
51	10-18955	3/8" X 1" NC BOLT GR 5 PLTD
52	10-18155	COTTER PIN, 3/16" x 1-1/4"
53	10-19604	3/8" LOCK WASHER
54	10-17392	3/8" FLAT WASHER
55	10-22744	3/8" X 80" HYDRAULIC HOSE
56	10-27336	5/16" FLAT WASHER
57	05-A362	MKX100 LANDING GEAR PS, HYD
58	10-19540	3/8" X 3/4" NC BOLT GR 5 PLTD

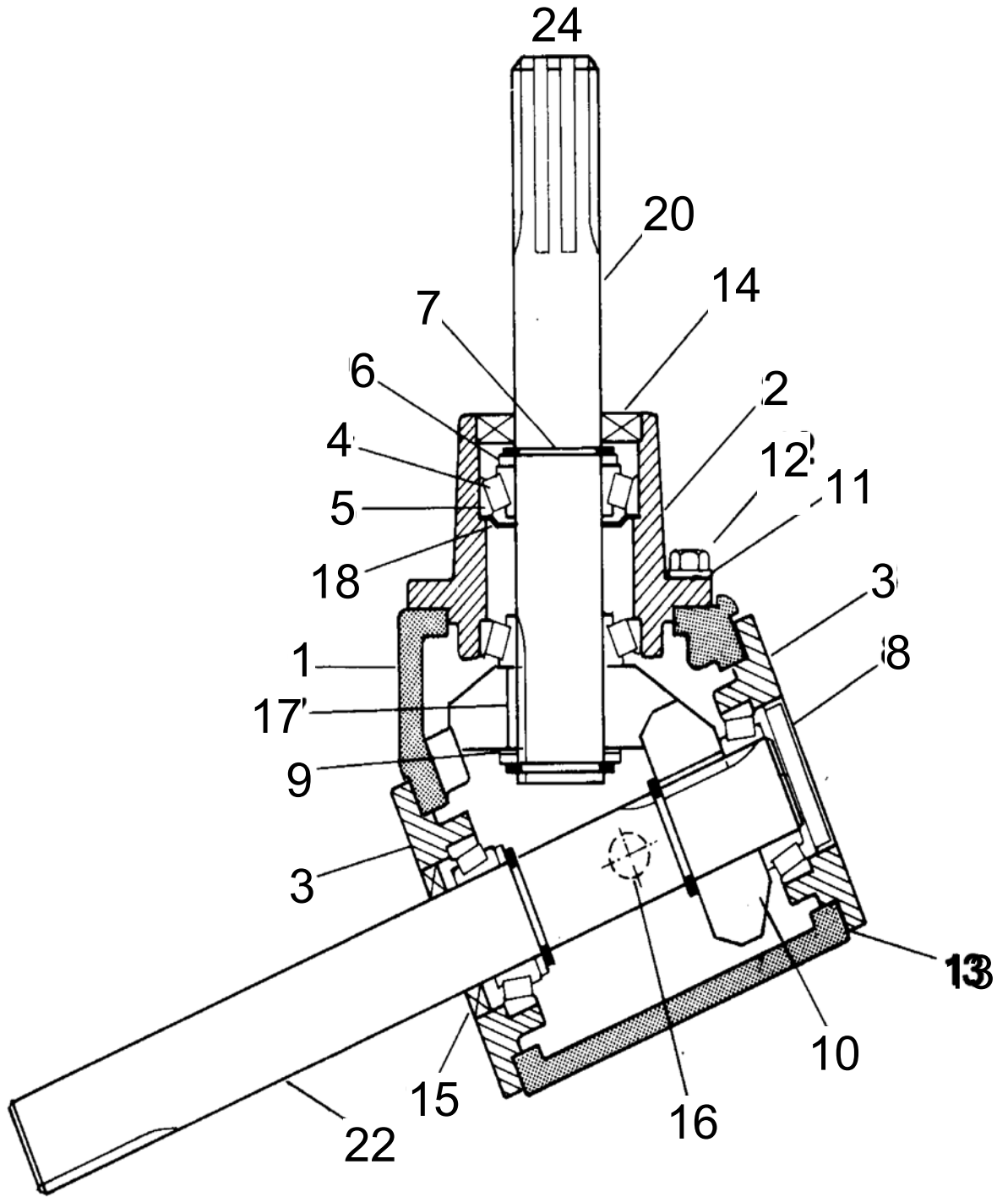
MKX100 UPPER GEARBOX



MKX100 UPPER GEARBOX

ITEM	PART NO.	DESCRIPTION
1	10-18959	Housing
2	10-18960	Quill
3	10-18961	End cap
4	10-19265	Bearing cone Timken # LM 67048
5	10-19266	Bearing cup Timken # LM 67010
6	10-18426	Spacer
7	10-18962	Snap ring
8	10-18963	Expansion plug
9	10-18411	.007Shim(1.25" I.D.)
10	10-18964	Gear
11	10-19603	Lockwasher, 5/16"
12	10-19538	Cap screw, 5/16" - 18 x 3/4"
13	10-18390	.005 Shim
14	10-18427	Seal, National # 471808, CR# 12614
15	10-18403	Seal, National # 470163, CR# 12458
16	10-18393	1/4 NPT Pipe plug
17	10-18380	Square Key
19	10-18967	Pinion shaft, upper gearbox only
21	10-18972	Cross shaft, upper gearbox only
23	10-18849	Upper gearbox, complete

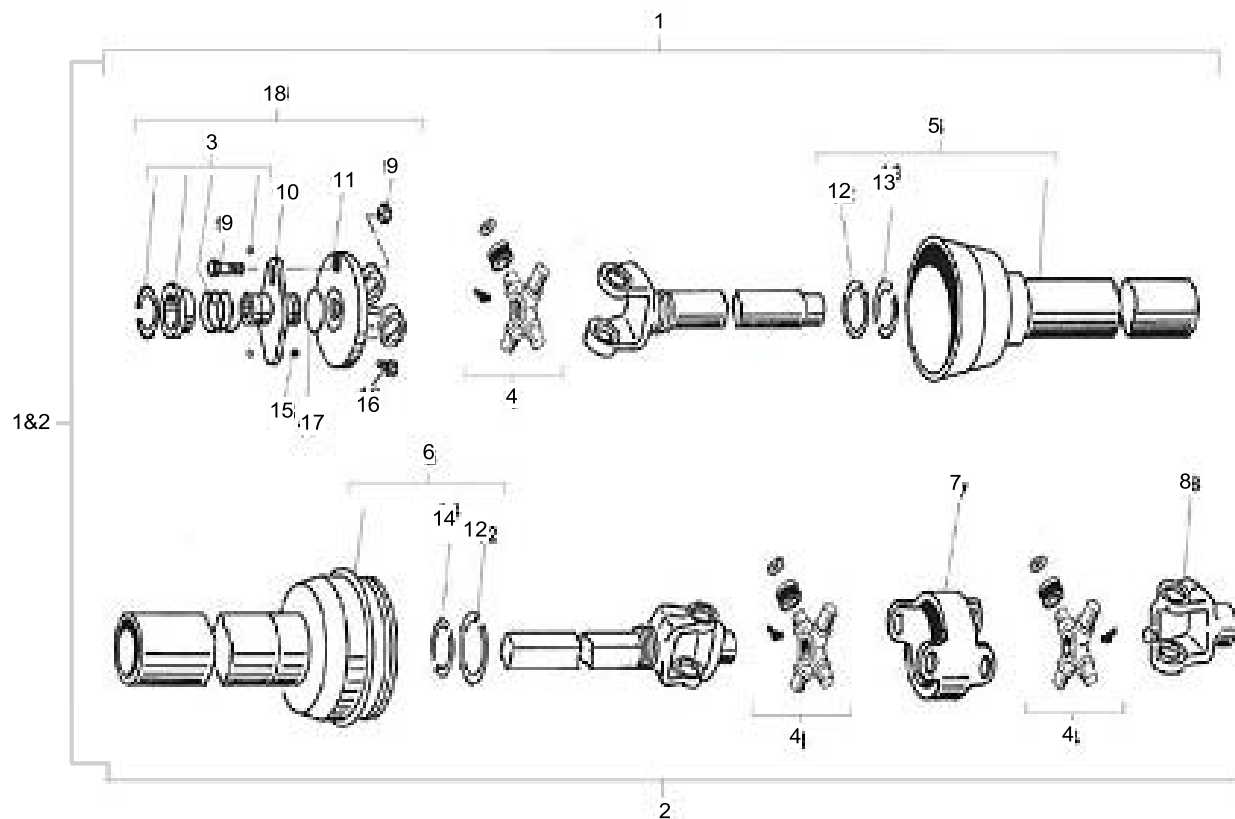
MKX100 LOWER GEARBOX



MKX100 LOWER GEARBOX

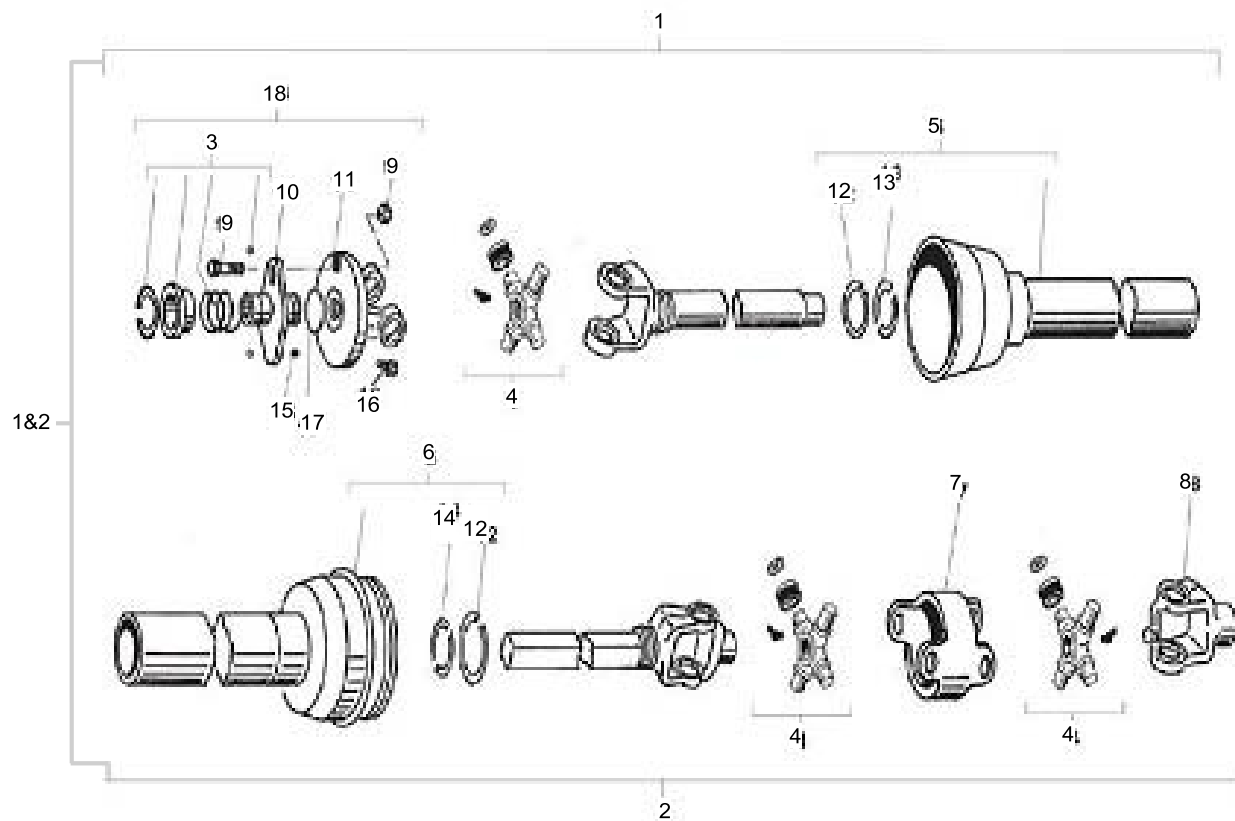
ITEM	PART NO.	DESCRIPTION
1	10-18959	Housing
2	10-18960	Quill
3	10-18961	End cap
4	10-19265	Bearing cone Timken # LM 67048
5	10-19266	Bearing cup Timken # LM 67010
6	10-18426	Spacer
7	10-18962	Snap ring
8	10-18963	Expansion plug
9	10-18411	.007Shim(1.25" I.D.)
10	10-18964	Gear
11	10-19603	Lockwasher, 5/16"
12	10-19538	Cap screw, 5/16" - 18 x 3/4"
13	10-18390	.005 Shim
14	10-18427	Seal, National # 471808, CR# 12614
15	10-18403	Seal, National # 470163, CR# 12458
16	10-18393	1/4 NPT Pipe plug
17	10-18380	Square Key
18	10-18965	Grease washer, lower gearbox only
20	10-18970	Pinion shaft, lower gearbox only
22	10-21938	Cross shaft, lower gearbox only
24	10-21549	Lower Gear Box, complete

MKX100-53, 63 & 73 CONSTANT VELOCITY PTO SHAFT (WEASLER)



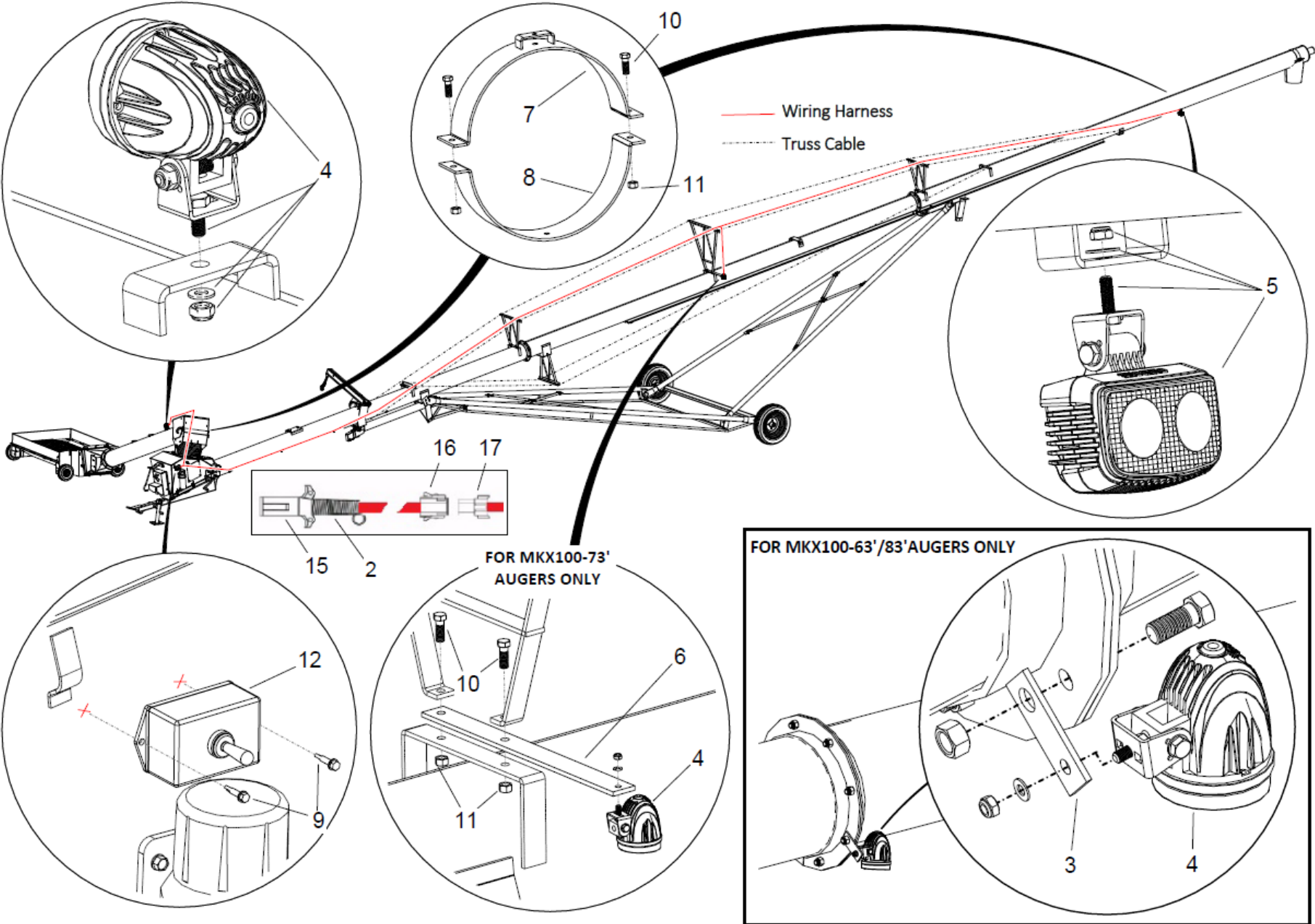
ITEM	PART NO.	DESCRIPTION
1	10-18456	1/2 PTO shaft, tractor end
1&2	10-18484	Complete PTO shaft
2	10-18457	1/2 PTO shaft, implement end
3	10-18458	Spring lock repair kit
4	10-18459	Universal joint repair kit
5	10-18460	Plastic shield c/w reference no. 12 & 13, tractor end
6	10-18461	Plastic shield c/w reference no. 12 & 14, implement end
7	10-18462	CV centre housing
8	10-18463	End yoke
9	10-17126	Bolt, 5/16" x 1" Custom Shear
12	10-18467	Retainer ring
13	10-18468	Nylon bearing
14	10-18468	Nylon bearing
15	10-18470	Ball bearing kit
16	10-19995	Bolt, 3/8" - 16 x 1/2", grade 5
17	10-18485	Blank disc
18	10-18363	Shear assembly

MKX100-83 CONSTANT VELOCITY PTO SHAFT (WEASLER)



ITEM	PART NO.	DESCRIPTION
1&2	10-27481	Complete PTO shaft
1	10-27592	1/2 PTO shaft, tractor end
2	10-27593	1/2 PTO shaft, implement end
3	10-18270	Spring lock repair kit
4	10-18271	Universal joint repair kit
5	10-27596	Plastic shield c/w reference no. 12 & 13, tractor end
6	10-27595	Plastic shield c/w reference no. 12 & 14, implement end
7	10-18274	CV centre housing
8	10-27594	End yoke
9	10-17126	Bolt, 5/16" x 1" Custom Shear
12	10-18467	Retainer ring
13	10-18468	Nylon bearing
14	10-18441	Nylon bearing
15	10-18470	Ball bearing kit
16	10-19995	Bolt, 3/8" - 16 x 1/2", grade 5
17	10-18485	Blank disc
18	10-27597	Shear assembly

WORK LIGHT KIT (MKX100-63,73 & 83)



WORK LIGHT KIT (MKX100-63,73 & 83)

ITEM	PART NO.	DESCRIPTION
1A	10-22695	WORK LIGHT HARNESS, 63
1	10-22696	WORK LIGHT HARNESS, 73
1B	10-22697	WORK LIGHT HARNESS, 83
2	10-22687	TRACTOR PLUG EXTENSION HARNESS
3	10-22286	TRANSPORT CHAIN LUG
4	10-22394	MINI FLOOD LAMP, LEDWD-1L10 (INCLUDES HARDWARE)
5	10-22395	FLOOD LAMP, LEDWD-2L20 (INCLUDES HARDWARE)
6	10-22712	LIGHT BRACKET, 1073
7	10-22740	MKX100 HOSE ATTACH
8	10-19801	HALF CLAMP, 10"
9	10-22396	8-18 X 3/4" TEK SCREW
10	10-18698	BOLT, 7/16" X 1-1/4"
11	10-19598	LOCKNUT, 7/16"
12	10-22399	SWITCH BOX ONLY
13	10-22427	LEAD CONNECTOR, DEUTSCH DT06-2S (NOT SHOWN)
14	10-22446	BUSS AGC 20A FUSE (NOT SHOWN)
15	10-23123	7 PIN AG PLUG
16	10-23124	8 WAY PLUG, AT06-08SA
17	10-23125	8 WAY RECEPTACLE, AT04-08PA
18	10-23126	WEATHER PACK TOWER, 6 POS (NOT SHOWN)
19	10-23127	WEATHER PACK SHROUD, 6 POS (NOT SHOWN)
20	10-23128	DEUTSCH 2 WAY CAP, 1011-344-0205 (NOT SHOWN)
21A	05-A348	MKX1063 WORK LIGHT KIT
21	05-A350	MKX1073 WORK LIGHT KIT
21B	05-A352	MKX1083 WORK LIGHT KIT

WESTFIELD 

P.O. Box 39

Rosenort, Manitoba, R0G 1W0 Canada

Phone: (866) 467-7207 (Canada & USA) or (204) 746-2396

Fax: (866) 768-4852

website: www.grainaugers.com

email: sales@grainaugers.com

© Ag Growth International Inc. 2017

Printed in Canada

AGI 